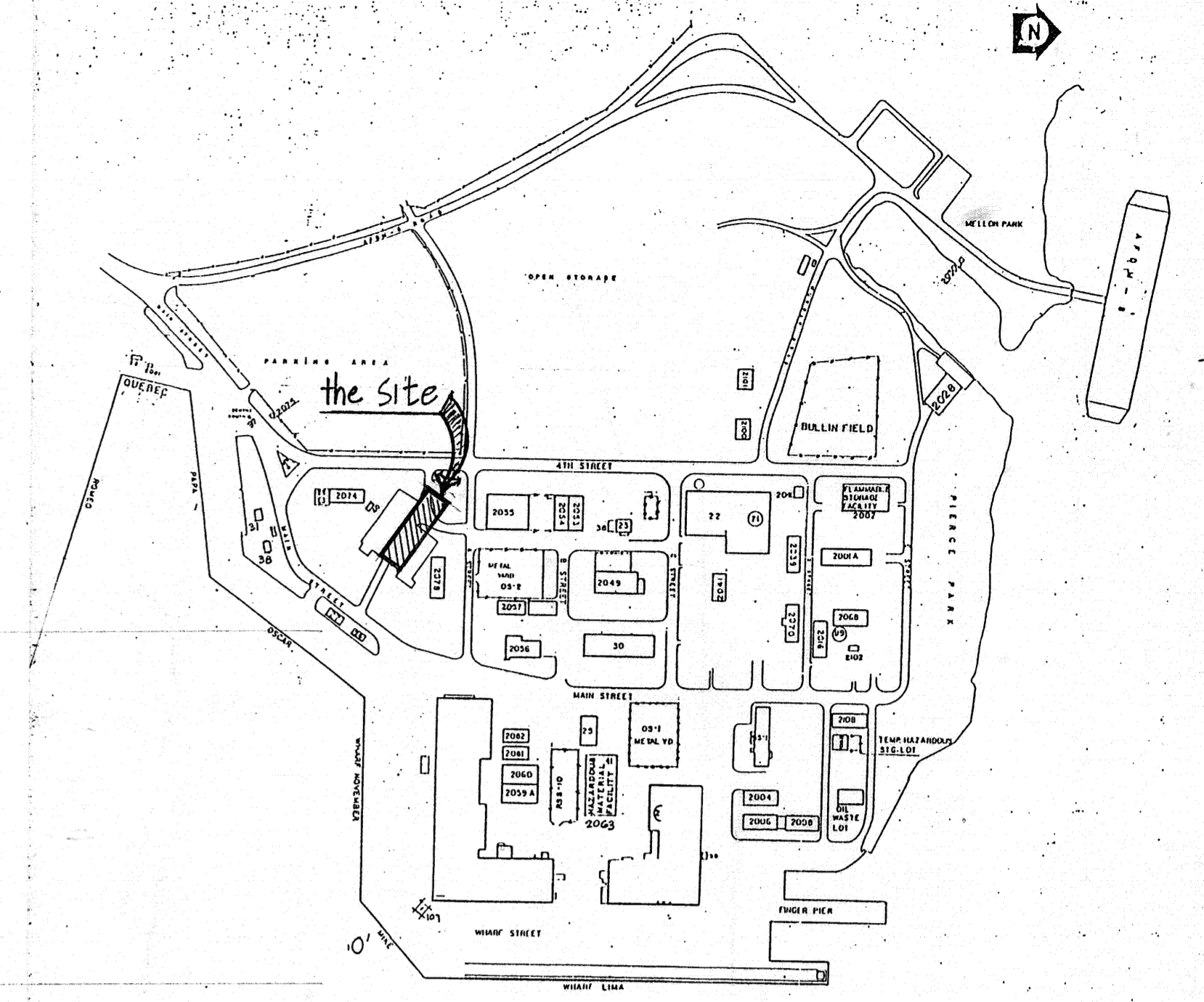
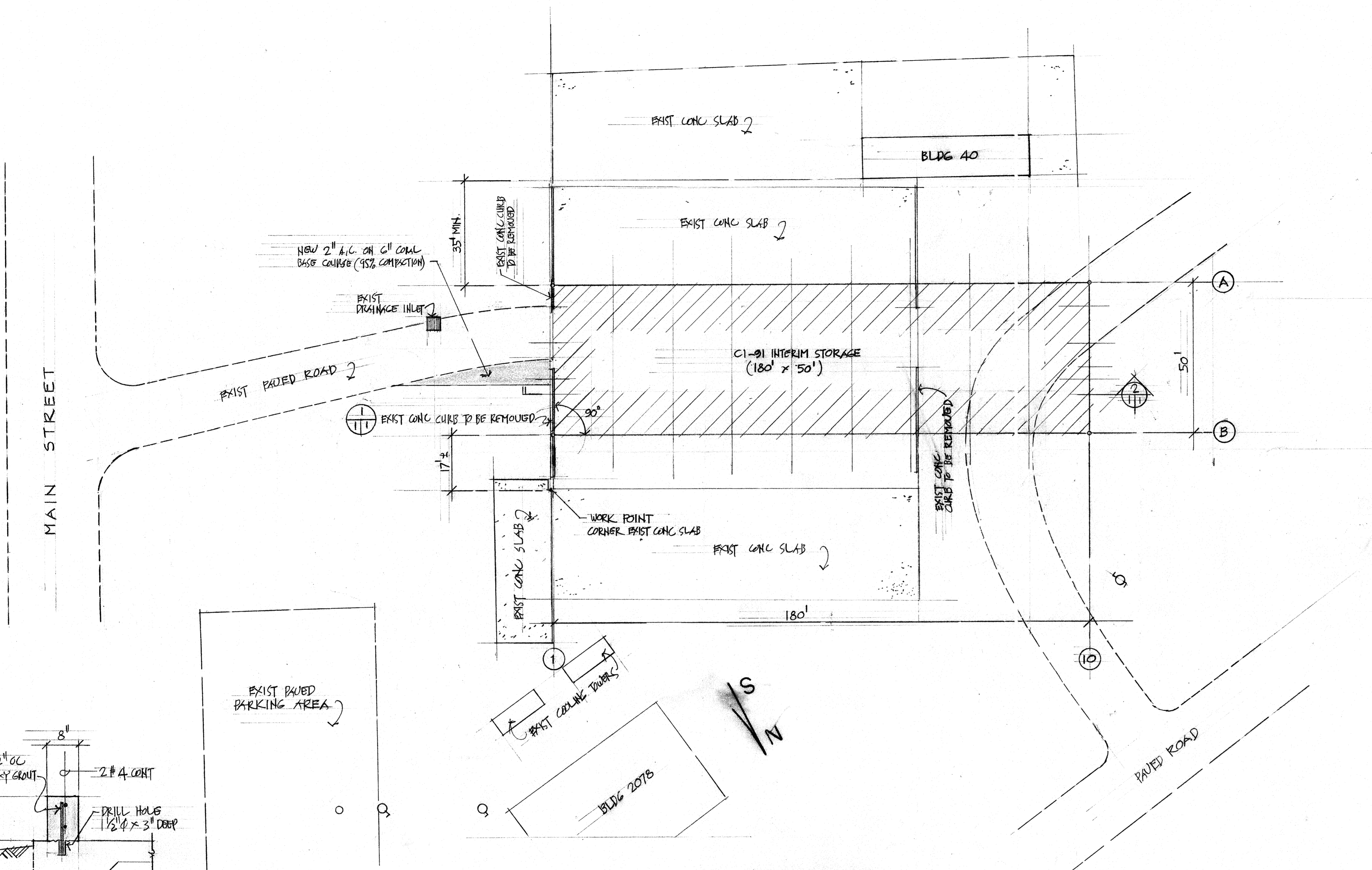


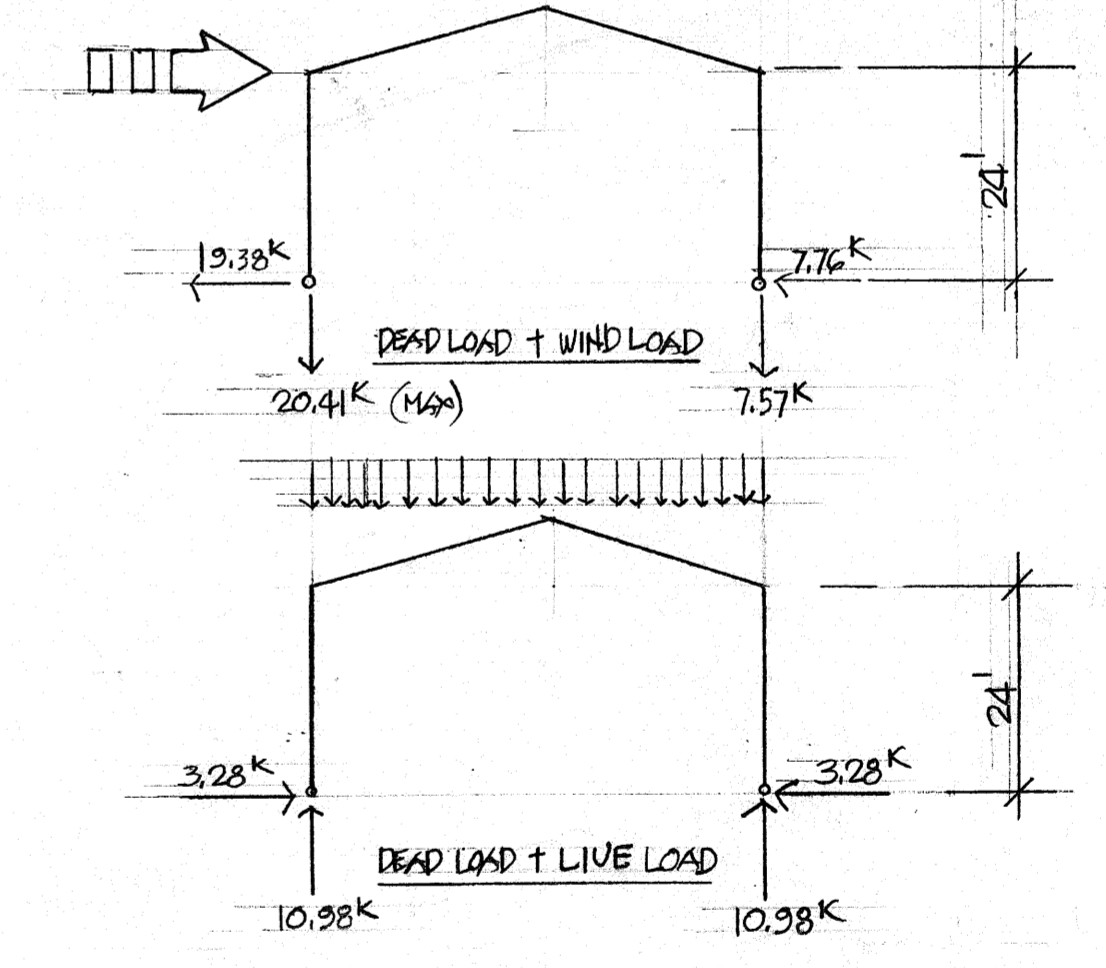
MY2



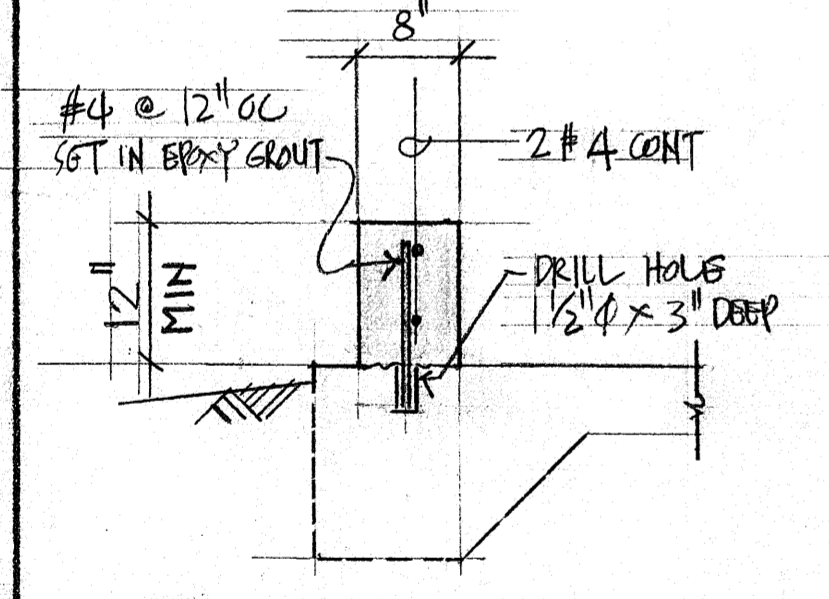
LOCATION PLAN  
SCALE NONE



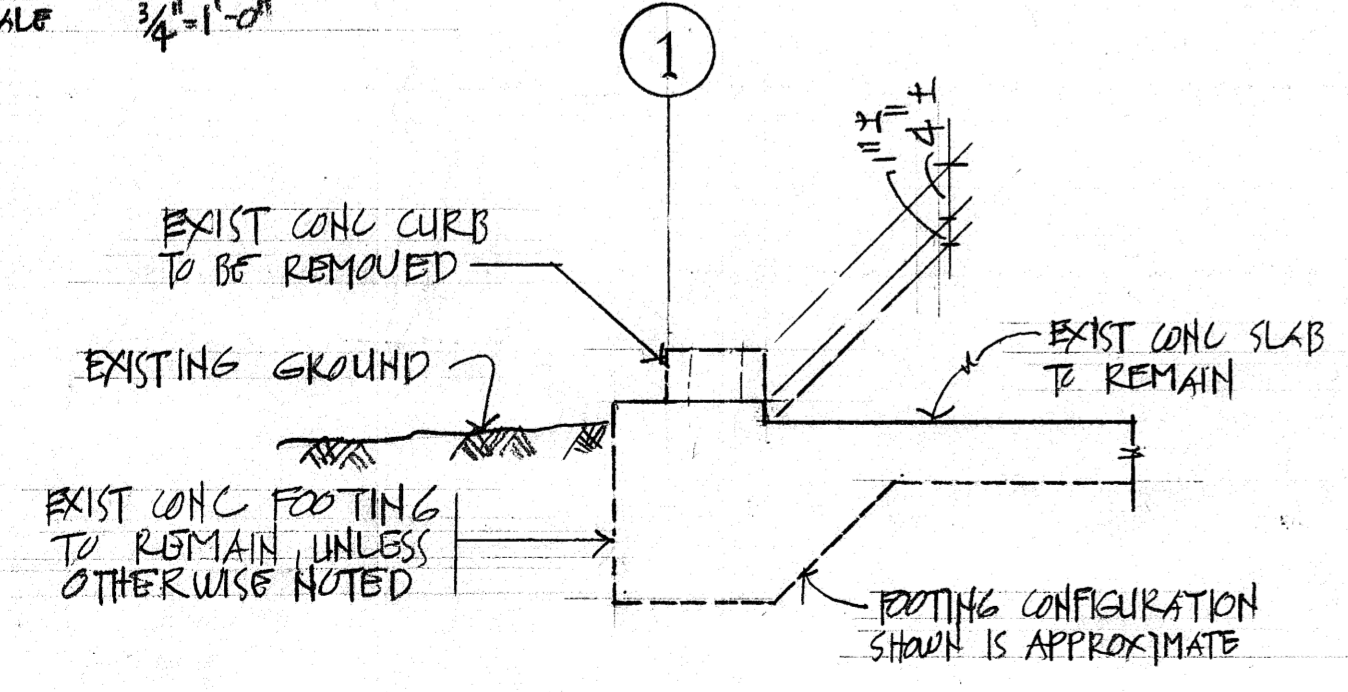
SITE LAYOUT  
SCALE 1" = 20'



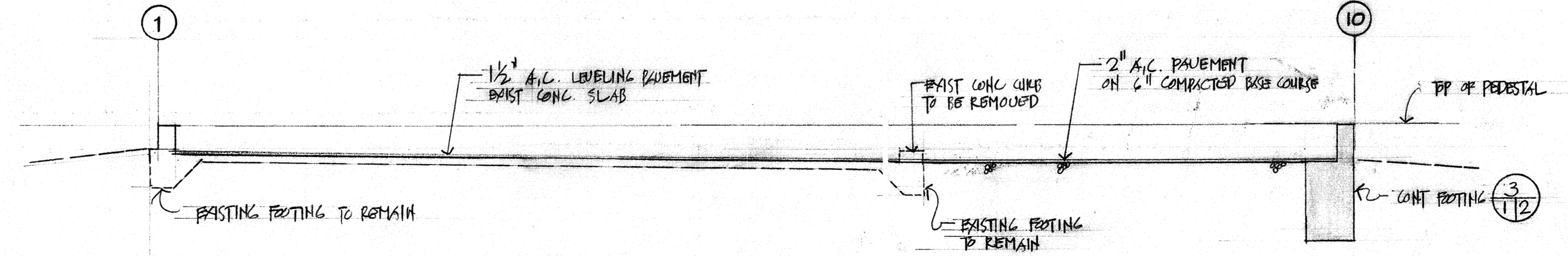
BUILDING REACTIONS  
(BASED ON "SPACE BUILDINGS" SHOP DRAWINGS)



IA DETAIL  
SCALE 3/4" = 1'-0"



CONC FOOTING (EXIST CONDITION)  
SCALE 3/4" = 1'-0"



SECTION  
SCALE NONE

RECORD DRAWING  
SHEET 1 of 2  
DATE 12-19-93

REVISIONS		
SYM	DESCRIPTION	DATE
A1	ADDED RECORD DRAWINGS	10-19-93

W/R 50187 SHIT 1 OF 2  
C1-91 CONSTRUCT INTERIM STORAGE  
U.S. NAVAL SHIP REPAIR FACILITY, GUAM M.I.  
DWN: WAT CHK: [Signature] DATE 3-17-92 PWC SK No. 01-92

FOR COMPLETE DRAWINGS, REFER TO PWC DRAWING NO. 17,488