

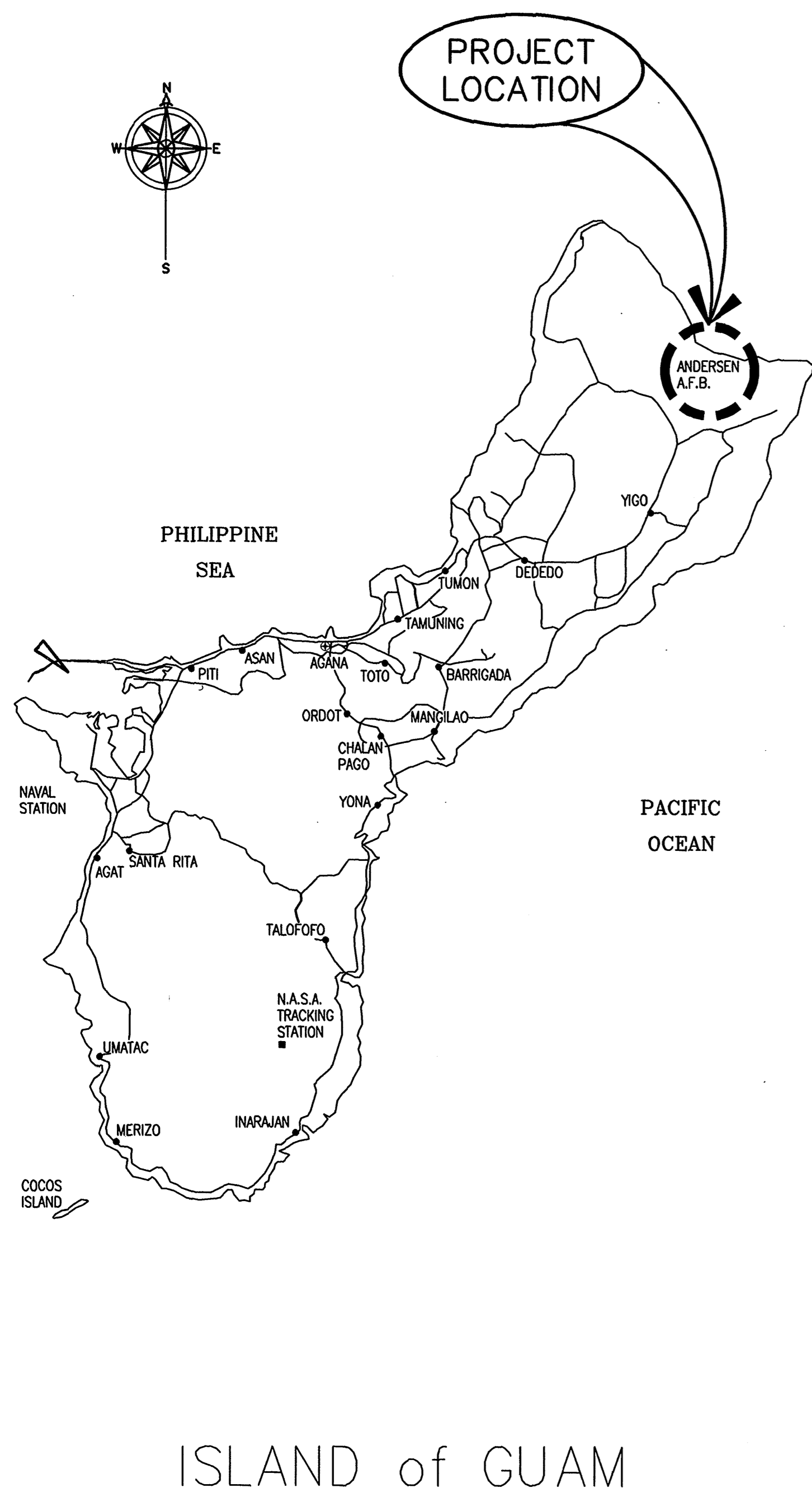
**DEPARTMENT OF THE NAVY**  
**NAVAL FACILITIES ENGINEERING COMMAND MARIANAS**

WR #31213, INSTALL BAFFLES IN THE  
 PAINT BOOTH IN BLDG. 2643

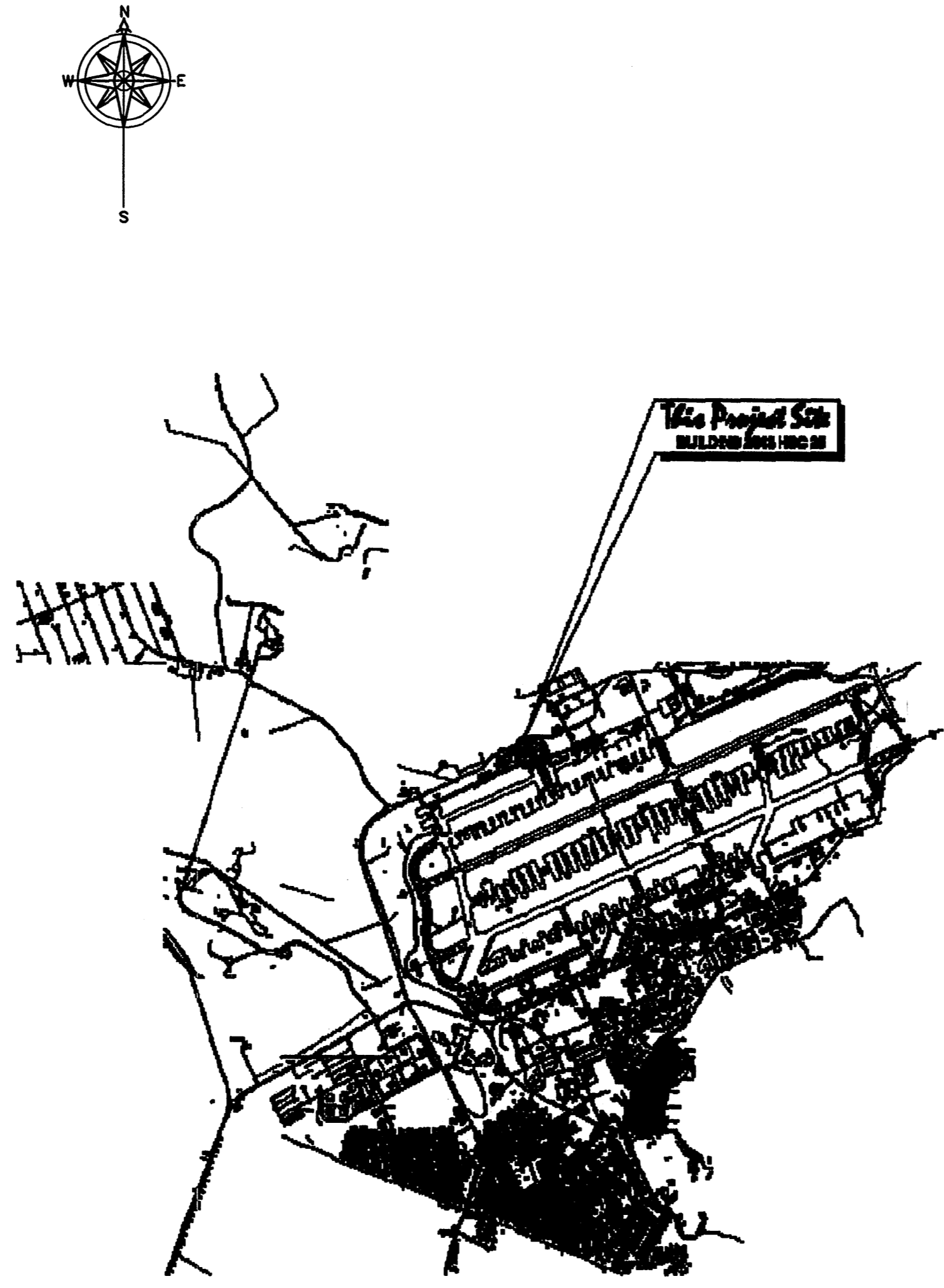
HSC 25

AAFB, GUAM

**LOCATION MAP**



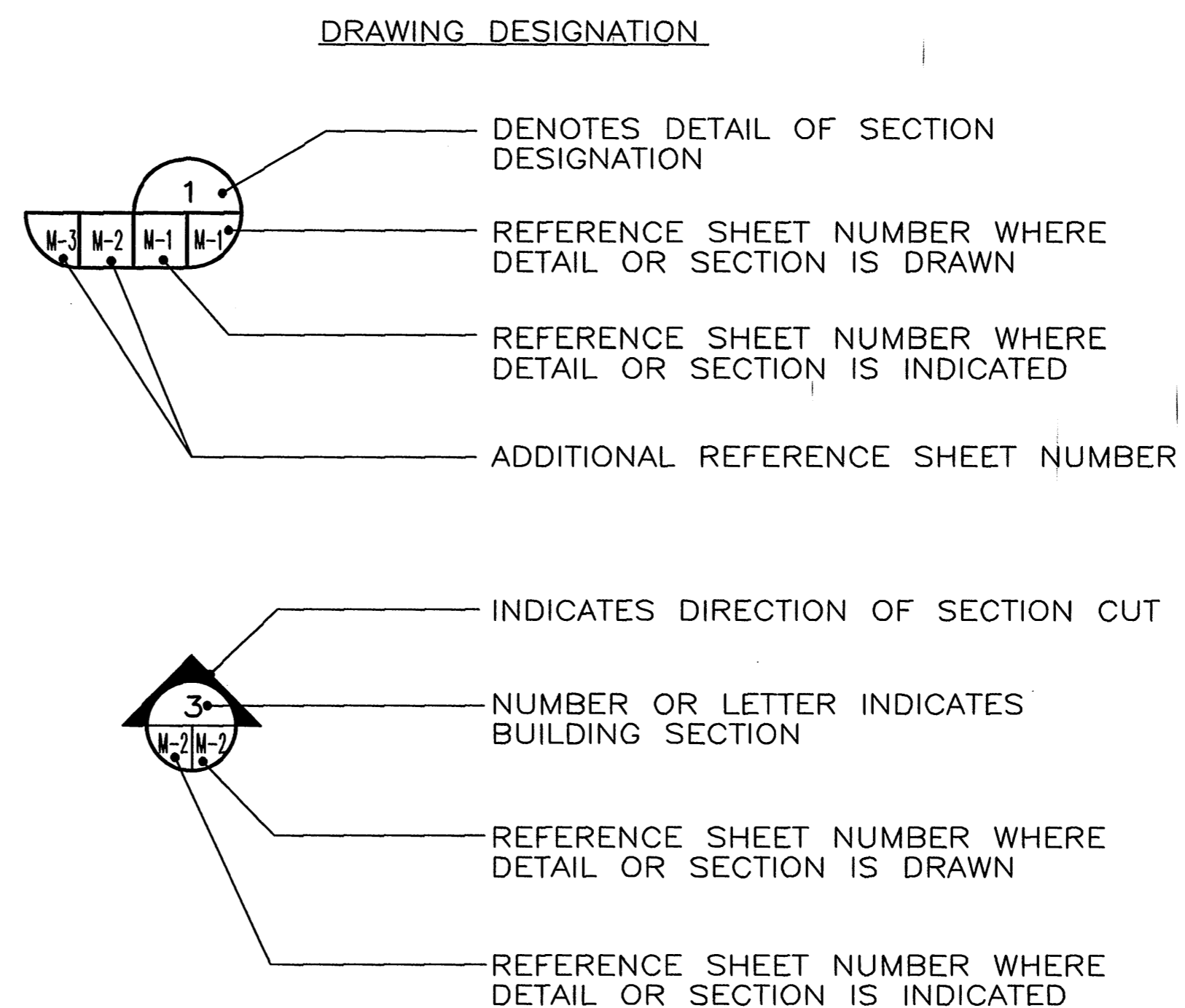
**VICINITY MAP**



**DRAWING INDEX**

NAVFAC DRAWING NO.	SHEET. NO.	DWG NO.	DESCRIPTION
-	1 OF 3	T-1	TITLE, LOCATION, VICINITY MAP, INDEX OF DRAWINGS, SYMBOL/LEGEND
-	2 OF 3	M-1	GENERAL MECHANICAL NOTES, LEGEND AND ABBREVIATIONS, SCOPE OF WORK, KEY PLAN
-	3 OF 3	M-2	MECHANICAL PLAN, SECTION DETAIL, ISOMETRIC VIEW
-			
-			

**SYMBOL / LEGEND**

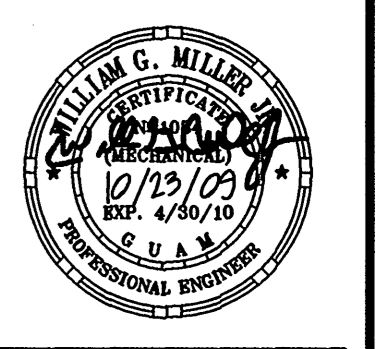


**AS BUILT**

NO.	DATE	DESCRIPTION

**CORE TECH INTL.**  
 185 TUN JOSE SALAS ST.  
 TAMPAGO, GUAM 96913

**WM ENGINEERING SERVICES, LLC**  
 Mechanical Consulting Engineers  
 Mechanical Construction Management  
 130 OUSING WAY TUMON, GUAM 96913  
 TEL (671) 646-8127 Email: eng@wm.com.gu



This certifies that this work was prepared by me or done under my direct supervision.

SUBMITTED BY:

FORM NUMBER: \_\_\_\_\_ DATE: \_\_\_\_\_

APPROVED:

ACTIVITY - SATISFACTORY TO DATE:

DESIGNER: MN DRAWN: JC

CHECKER: MN CHECKER: WM

DATE: \_\_\_\_\_

SATISFACTORY TO:

DATE: \_\_\_\_\_

FACILITIES MANAGER: \_\_\_\_\_ DATE: \_\_\_\_\_

REMOVED BY: \_\_\_\_\_ DATE: \_\_\_\_\_

DATE: \_\_\_\_\_

APPROVED BY: \_\_\_\_\_ DATE: \_\_\_\_\_

DATE: \_\_\_\_\_

CHEF ENGR. NAVFAC MARIANAS FOR COMMANDER NAVFAC

DATE: \_\_\_\_\_

NAVAL FACILITIES ENGINEERING COMMAND

DEPARTMENT OF THE NAVY

GUAM, M.I.

TITLE: LOCATION, VICINITY MAP, INDEX OF DRAWINGS, SYMBOL/LEGEND

SHEET NUMBER: \_\_\_\_\_

WR #31213, INSTALL BAFFLES IN THE PAINT BOOTH IN BUILDING 2643

HSC 25, AAFB, GUAM

CODE I.D. NO. \_\_\_\_\_ SIZE: D

SCALE: AS SHOWN

CONST. CONTRACT NUMBER

N40192-06-D-2550

SPEC. NO. \_\_\_\_\_

NAVFAC DRAWING NO. \_\_\_\_\_

SHEET 1 OF 3

T-1

**GENERAL MECHANICAL NOTES**

- CONFORM TO ALL REQUIREMENTS OF THE BUILDING, MECHANICAL AND ELECTRICAL CODES, U.S. NAVY BASE AGENCIES HAVING JURISDICTION, AND OTHER APPLICABLE REGULATIONS FOR THE PROJECT.
- INSTALLATION SHALL BE GUARANTEED TO BE FREE FROM DEFECTS FOR ONE YEAR FROM DATE OF FINAL ACCEPTANCE OF THE PROJECT AS A WHOLE.
- DUCT SIZES NOTED ARE NET INSIDE DIMENSIONS.
- CONTRACTOR SHALL VERIFY ALL FIELD CONDITIONS PRIOR TO BID AND CONSTRUCTION.
- COORDINATE ALL WORK WITH OTHER TRADES TO AVOID INTERFERENCES AND DELAYS. CONTRACTOR SHALL PHASE CONSTRUCTION TO MINIMIZE DOWN TIME OF THE FACILITY.
- PROVIDE ADDITIONAL MATERIALS AND LABOR FOR A COMPLETE OPERABLE SYSTEM AT NO EXTRA COST TO THE OWNER.
- PROVIDE ACCESS PANELS FOR ALL ITEMS UNDER THIS SECTION REQUIRING SERVICING, INSPECTION, MAINTENANCE AND ADJUSTMENT.

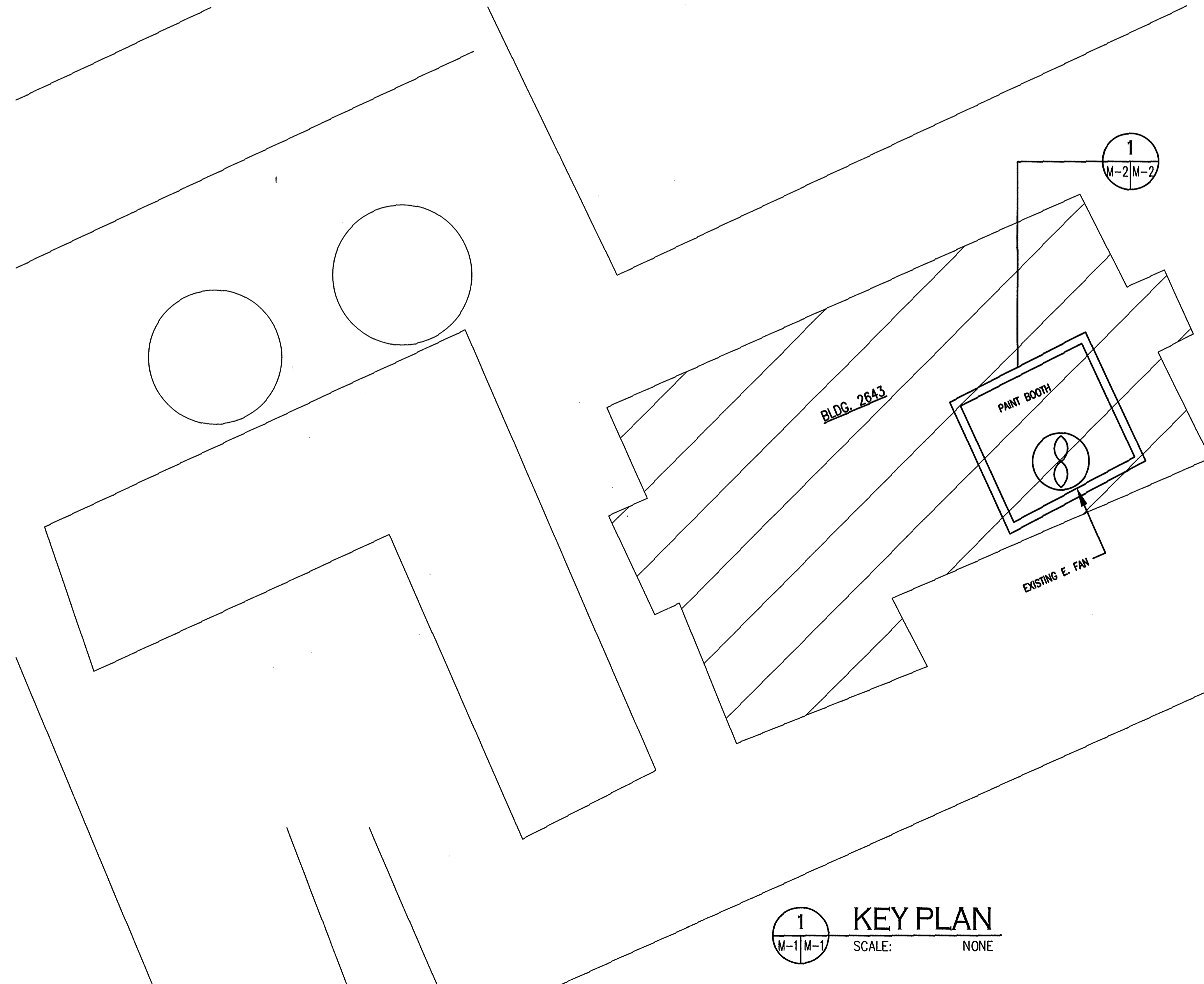
**SCOPE OF WORK:**

- 1. PROVIDE NEW EXHAUST PLENUM, DUCTWORK & ASSOCIATED HANGERS AND AIR-BALANCING DAMPERS TO IMPROVE THE EXHAUST AIR DISTRIBUTION ACROSS THE FILTERS IN THE EXISTING PAINT BOOTH.
- 2. PROVIDE NEW HEAVY DUTY STEEL MESH WIRE AT THE ENTIRE BACK FACE OF THE AIR-FILTERS.
- 3. REPLACE EXISTING AIR FILTERS. 50-EACH, 20"x25", "UL" APPROVED FIBERGLASS EXHAUST FILTERS.
- 4. CONDUCT AIR-BALANCING TEST'S AFTER COMPLETION OF THE ABOVE SCOPE OF WORK. SUBMIT AIR-BALANCING TEST REPORT.

**NOTES:**

- ADEQUATE PROTECTION SHALL BE PROVIDED TO BUILDING SURFACES & EQUIPMENT WITHIN THE WORK AREA. DAMAGES THAT IS DUE TO THE CONTRACTOR'S NEGLIGENCE SHALL BE REPAIRED AND/OR REPLACE AT NO ADDITIONAL COST TO THE OWNER.
- DISPOSE ALL CONSTRUCTION DEBRIS TO AN APPROVED GOV'T DISPOSAL SITE.

LEGEND AND ABBREVIATIONS				
SYMBOL	ABBR.	DESCRIPTION	ABBR.	DESCRIPTION
	Ø	DIAMETER		
	CFM	CUBIC FEET PER MINUTE		
	DN	DOWN		
	EAD	EXHAUST AIR DUCT		
	HP	HORSEPOWER		
	PH	PHASE		
	POC	POINT OF CONNECTION		
	HZ	HERTZ		
	TYP	TYPICAL		
	UL	UNITED LABORATORIES		
	VD	VOLUME DAMPER		
	V	VOLTAGE		



**1** KEY PLAN  
SCALE: NONE

**AS BUILT**

SYMBOL	DESCRIPTION	DATE

**CORE TECH INTL**  
100 TUN ROAD, SUITE 202  
TOWSON, MD 21286

**WM ENGINEERING SERVICES, LLC**  
Mechanical Consulting Engineers  
Mechanical Construction Management  
130 CROSSING WAY, SUITE 200A, GUAM 96913  
Tel: (671) 548-8127 Email: wmes@wmeng.com



This certifies that this work was prepared by me or done under my direct supervision.

SUBMITTED BY: \_\_\_\_\_

FIRM MEMBER: \_\_\_\_\_ DATE: \_\_\_\_\_

APPROVED: \_\_\_\_\_

ACTIVITY - SATISFACTORY TO: \_\_\_\_\_ DATE: \_\_\_\_\_

DSGN: MN DRAWN: JC

CHK: MN CHK: WM

ENGR: \_\_\_\_\_

SATISFACTORY TO: \_\_\_\_\_

CM: \_\_\_\_\_ DATE: \_\_\_\_\_

FACILITIES MANAGER: \_\_\_\_\_ DATE: \_\_\_\_\_

REVIEWED BY: \_\_\_\_\_ DATE: \_\_\_\_\_

DC: \_\_\_\_\_ DATE: \_\_\_\_\_

APPROVED BY: \_\_\_\_\_ DATE: \_\_\_\_\_

CHIEF ENGR. NAVFAC/COMNAVFOR  
FOR COMMANDER NAVFAC

DATE: \_\_\_\_\_

DEPARTMENT OF THE NAVY  
NAVAL FACILITIES ENGINEERING COMMAND  
GUAM, GUAM, NMI

WR #31213, INSTALL BAFFLES IN THE  
PAINT BOOTH IN BUILDING 2643  
HSC 25, AAFB, GUAM

SHEET OWNERS: GENERAL MECHANICAL NOTES, LEGEND AND ABBREVIATIONS, SCOPE OF WORK, KEY PLAN

CODE I.D. NO. \_\_\_\_\_ SIZE: D

SCALE: AS SHOWN

CONST. CONTRACT NUMBER

N40192-06-D-2550

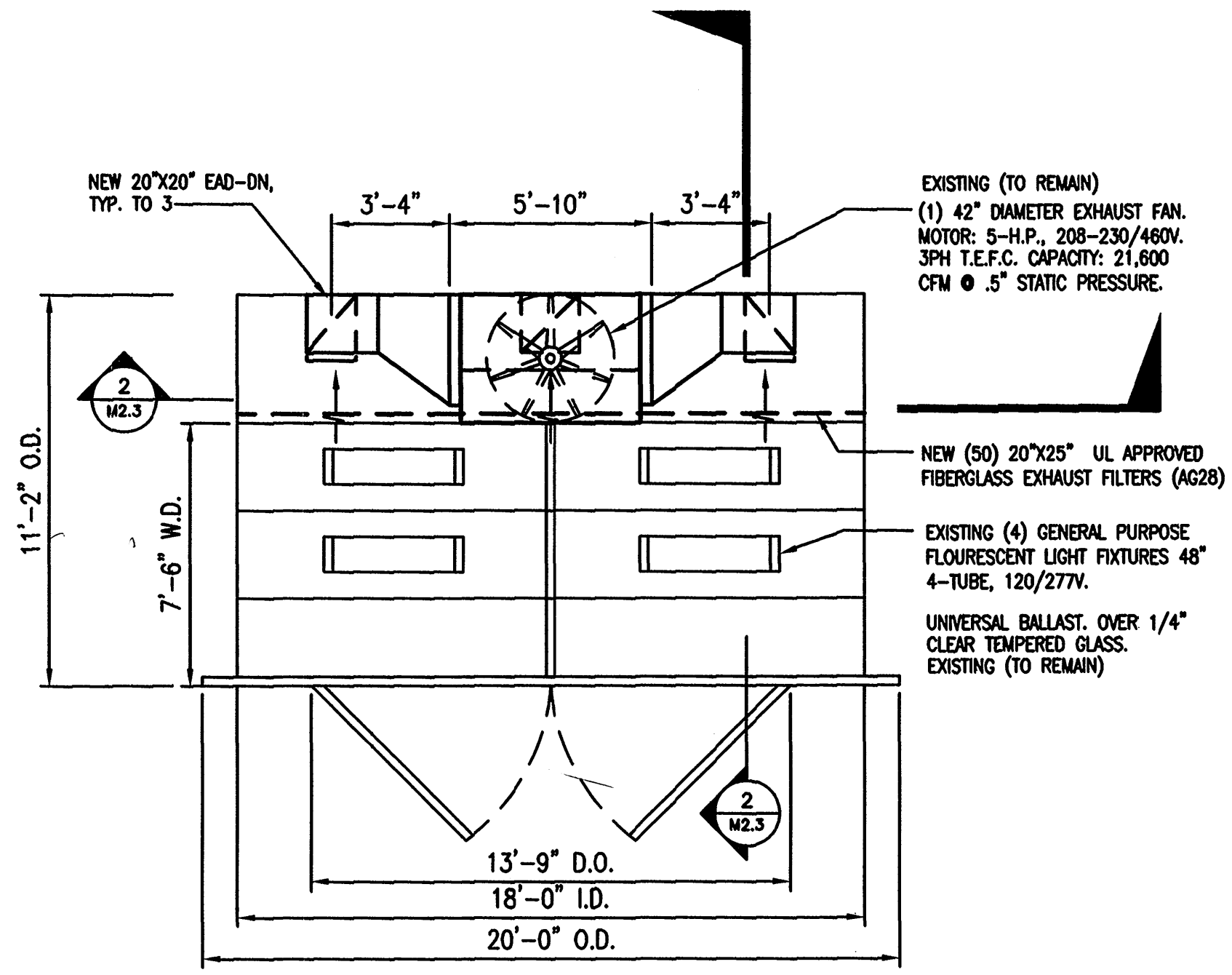
SPEC NO. \_\_\_\_\_

NAVFAC DRAWING NO. \_\_\_\_\_

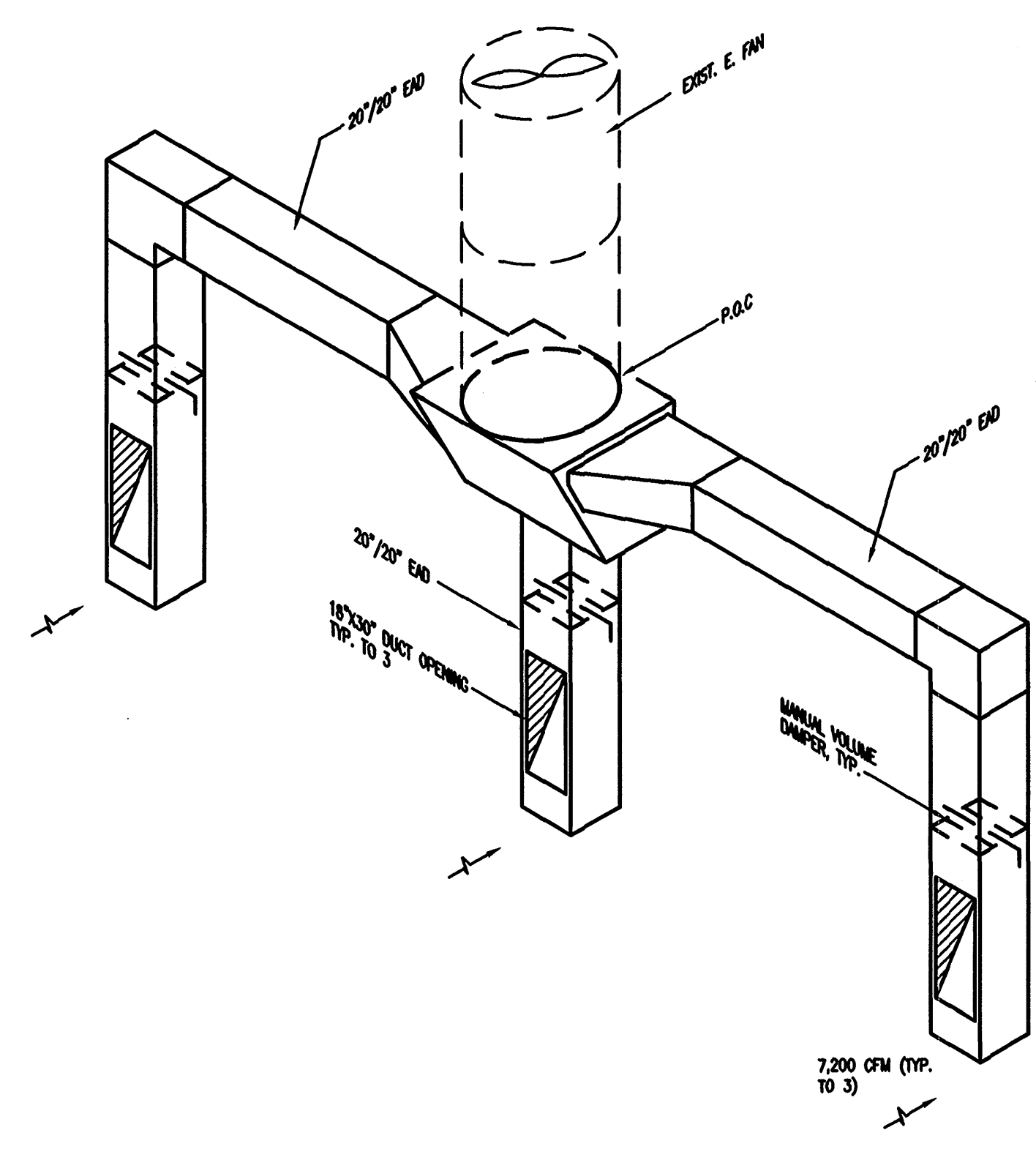
SHEET 2 OF 3

**M-1**

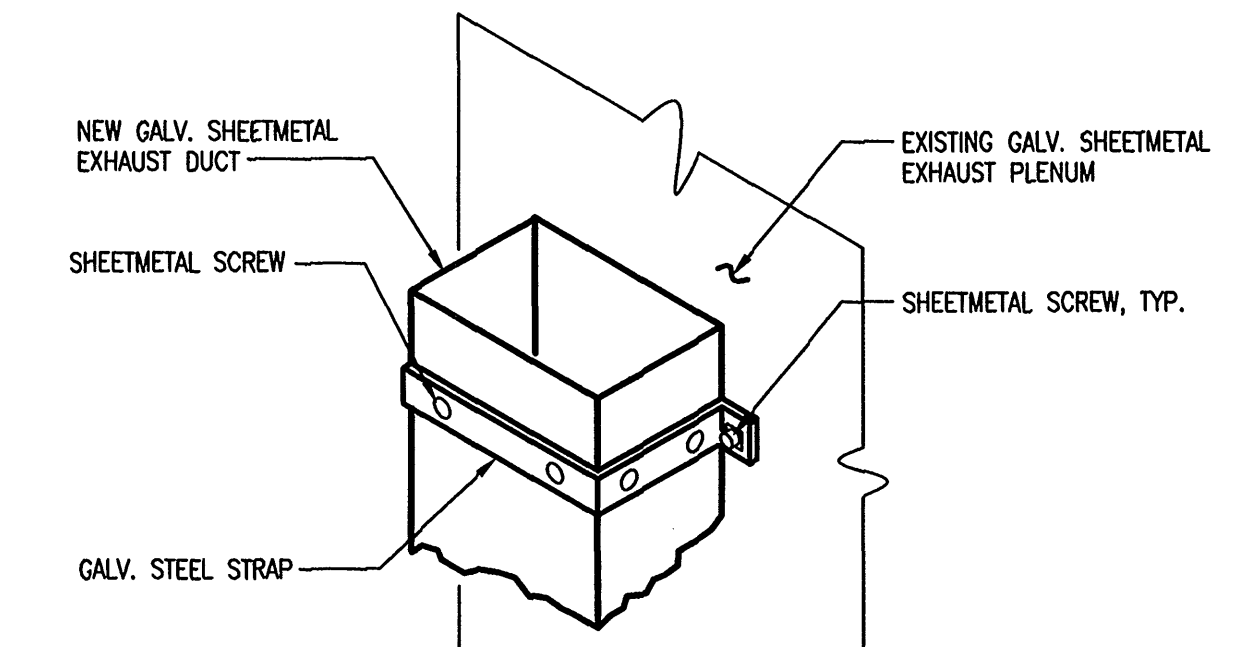
ACAD DWG. FILE: nma01a.dwg  
PLOT SCALE: 1"=1'-0"



**1 PLAN VIEW**  
SCALE: 1/4" = 1'-0"

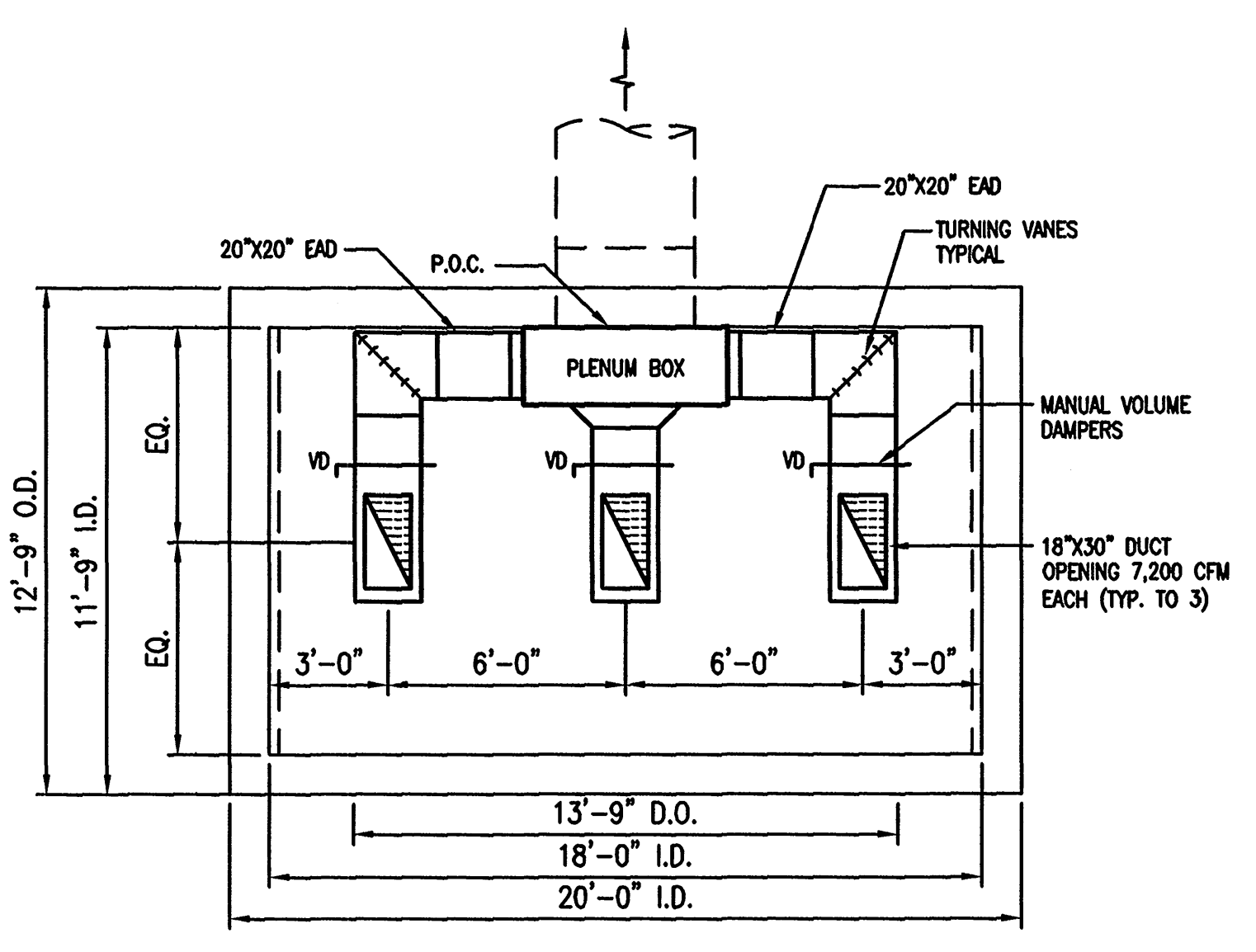


**4 ISOMETRIC VIEW**  
SCALE: NONE



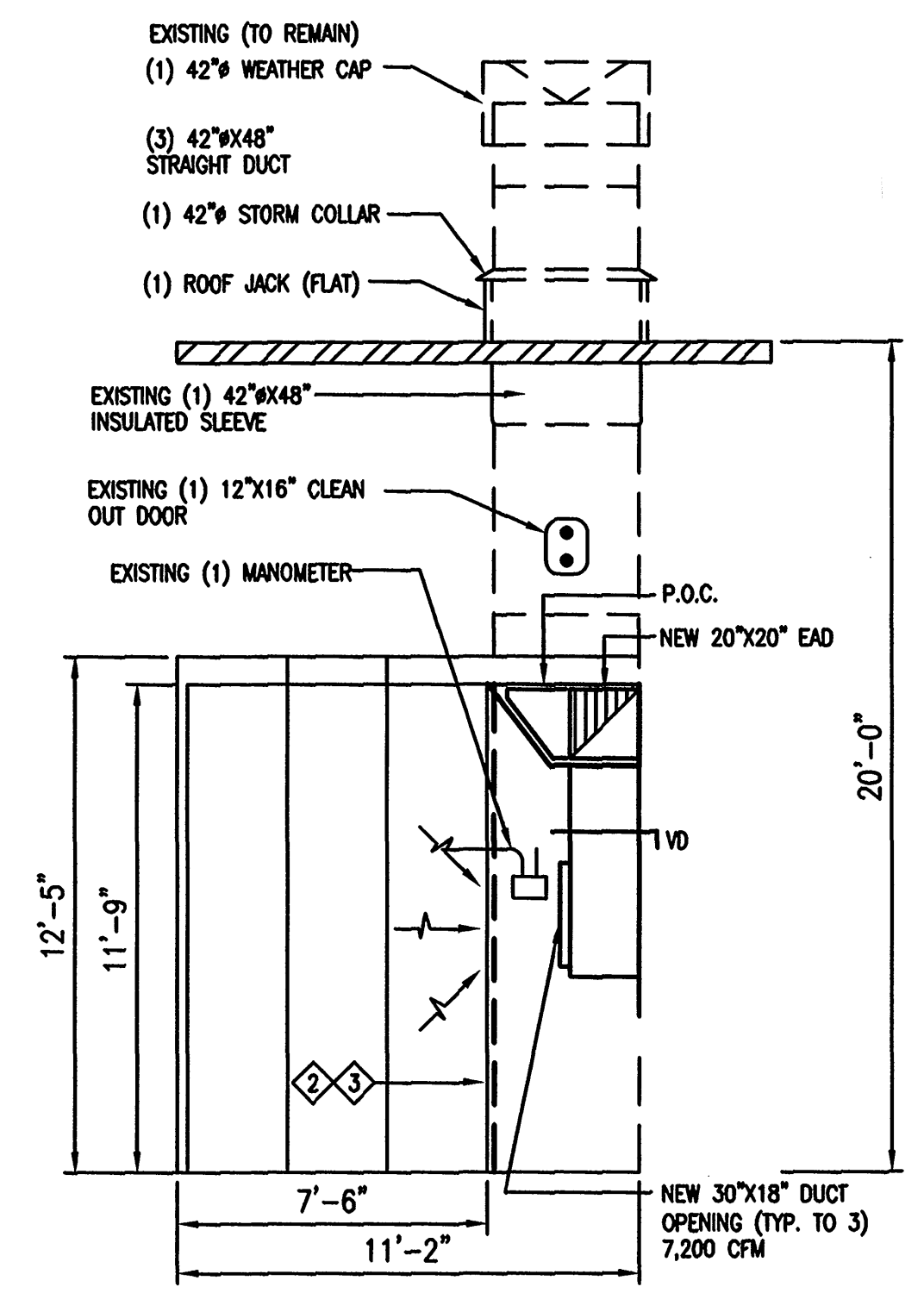
MAX. SIDE OF DUCT	METAL STRAP SUPPORT	MAX. VERTICAL SPACING
TO 24"	1" x 1/8" STRAP	12'-0" O.C.
OVER 24"	1" x 1" x 1/8" ANGLE	12'-0" O.C.
OVER 36"	1 1/8" x 1 1/8" x 1/8" ANGLE	12'-0" O.C.
OVER 48"	1 1/2" x 1 1/2" x 1/8" ANGLE	12'-0" O.C.
OVER 60"	2" x 2" x 1/8" ANGLE	12'-0" O.C.

**5 DUCT SUPPORT DETAIL**  
SCALE: NONE



**FRONT VIEW**

**2 SECTION VIEW**  
SCALE: NOT TO SCALE



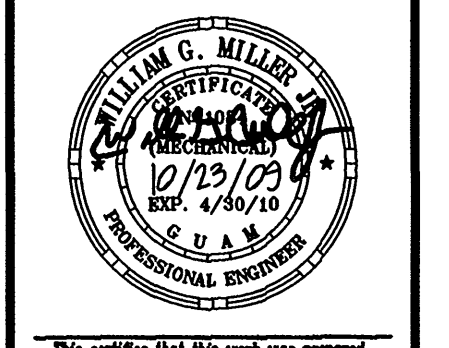
**SIDE VIEW**

**3 SECTION VIEW**  
SCALE: NOT TO SCALE

NO.	DESCRIPTION	DATE

**CORE TECH INTL.**  
125 TIN HOE QUAY ST  
TAMPA, FL 33613

**WM ENGINEERING SERVICES, LLC**  
Mechanical Consulting Engineers  
Mechanical Construction Management  
130 GARDNER WAY TAMPA, FL 33613  
Tel: (813) 644-8127 Email: wms@wmeng.com



Submitted by: \_\_\_\_\_ DATE: \_\_\_\_\_

REVISED BY: \_\_\_\_\_ DATE: \_\_\_\_\_

DESIGNED BY: MN DRAWN BY: JC

CHECKED BY: MN CHECKED BY: WM

ENGINEER: \_\_\_\_\_

SAISFACTORY TO: \_\_\_\_\_

DATE: \_\_\_\_\_

REVIEWED BY: \_\_\_\_\_ DATE: \_\_\_\_\_

APPROVED BY: \_\_\_\_\_ DATE: \_\_\_\_\_

CHIEF ENGINEER: \_\_\_\_\_ DATE: \_\_\_\_\_

NAVAL FACILITIES ENGINEERING COMMAND  
DEPARTMENT OF THE NAVY  
GUAM, M.I.

WR #31213, INSTALL BAFFLES IN THE  
PAINT BOOTH IN BUILDING 2643  
HSC 25, AAFB, GUAM

MECHANICAL PLAN, SECTION DETAIL

CODE I.D. NO. \_\_\_\_\_ SIZE: D

SCALE: AS SHOWN

CONST. CONTRACT NUMBER  
**N40192-06-D-2550**

SPEC. NO. \_\_\_\_\_

NAVFAC DRAWING NO. \_\_\_\_\_

SHEET 3 OF 3

**M-2**

**AS BUILT**