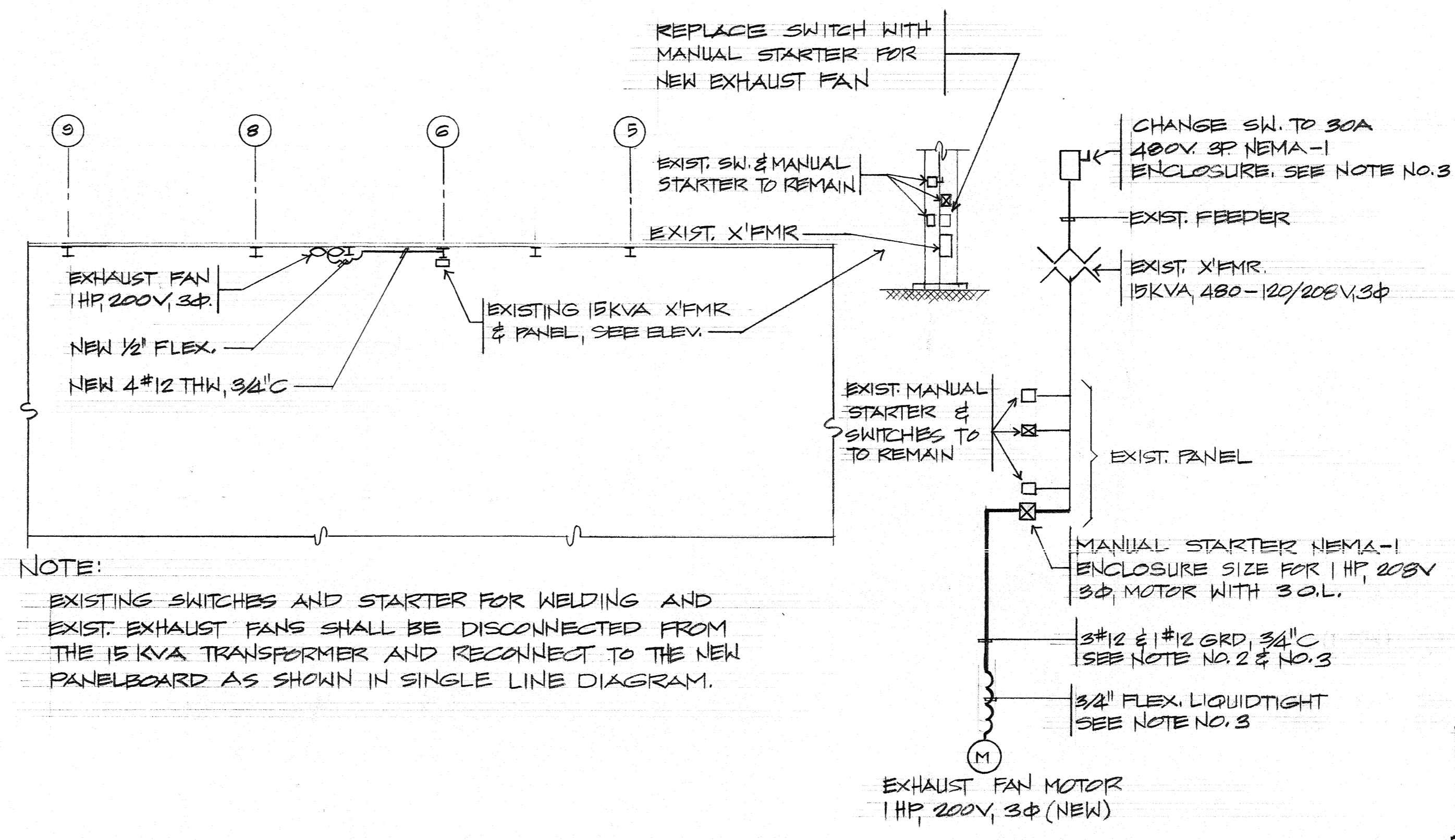
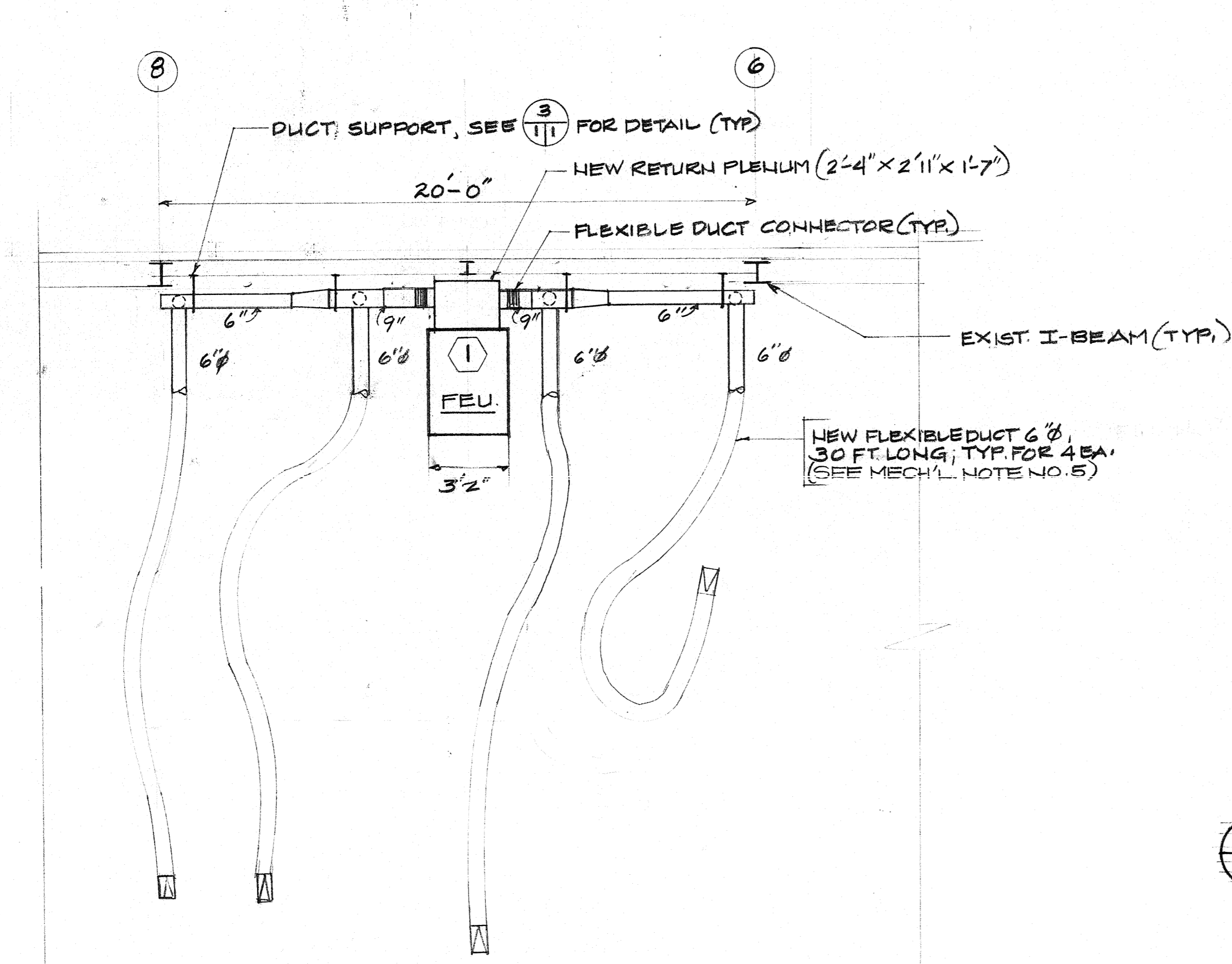


REVISIONS		
SYM	DESCRIPTION	DATE



- ELECTRICAL NOTES:**
1. ALL MATERIALS AND WORKMANSHIP SHALL CONFORM WITH THE LATEST EDITION OF THE NATIONAL ELECTRICAL CODE.
  2. ALL EXPOSED CONDUIT SHALL BE RIGID ALUMINUM
  3. ALL SHADED AREA AND HEAVY LINES ARE ALL NEW WORKS.

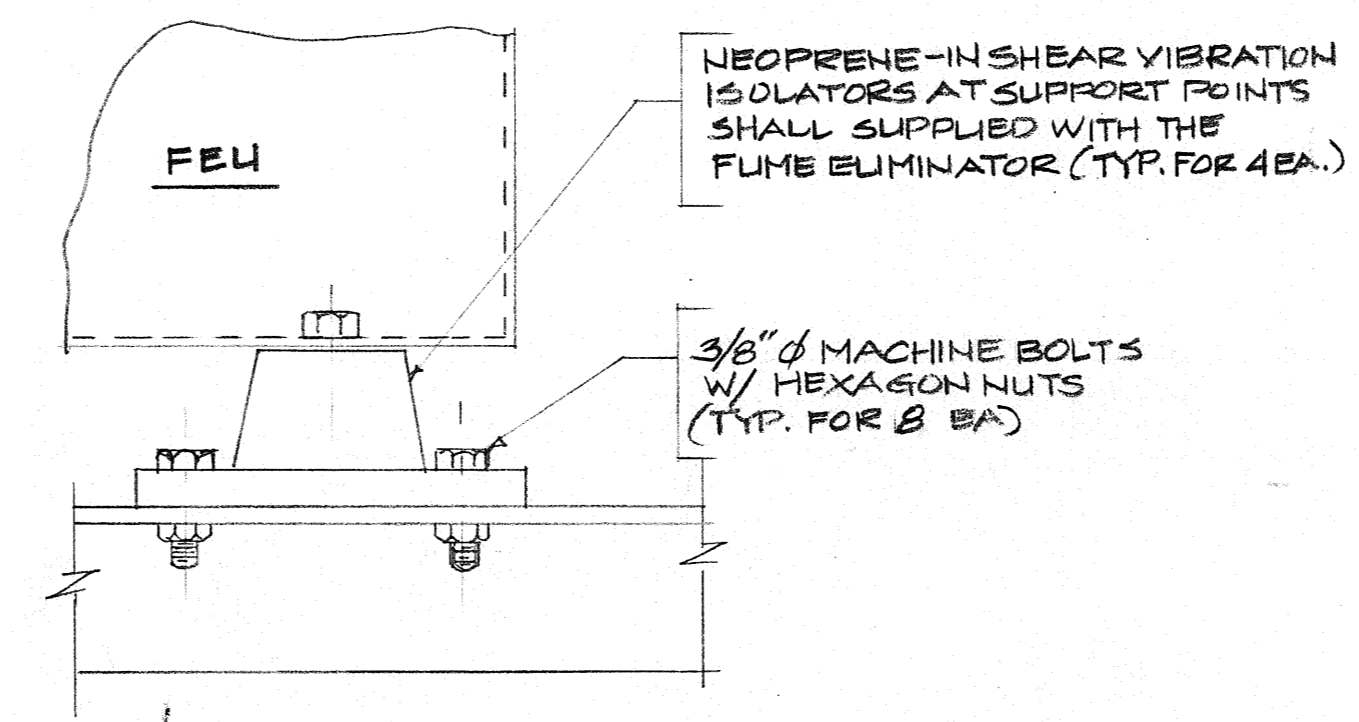
- SCOPE OF WORK**
1. PROVIDE AND INSTALL WELDING FUME ELIMINATOR.
  2. PROVIDE POWER SUPPLY FOR THE NEW UNIT (FEU).
  3. TEST NEW FEU FOR PROPER OPERATION.

**(1) ELECTRICAL POWER PLAN**  
 EI SCALE: 3/8" = 1'-0"  
**(2) SINGLE LINE DIAGRAM**  
 EI NOT TO SCALE

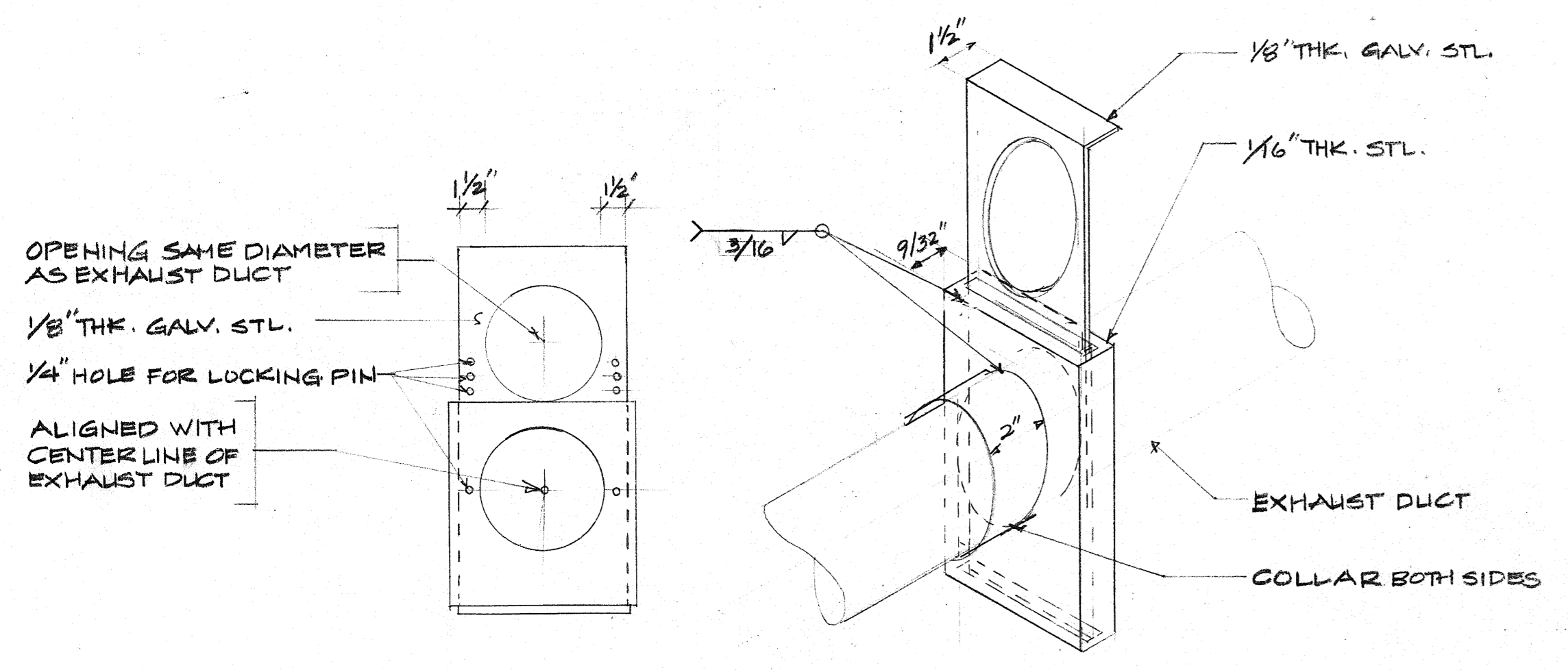
SHOP 41/56  
 BLDG. NO. 21.

EQUIPMENT SCHEDULE			
SYM	QTY	DESCRIPTION	REMARKS
(1)	1 EA	F.E.U. - FUME ELIMINATOR UNIT.	UNIT SHALL BE SIMILAR OR EQUAL TO "SMOG HOG INDUSTRIAL AIR CLEANER" SERIES: SH-20-PE MANUFACTURED BY: LIMITED AIR SPECIALIST INC. 4440 CREEK RD. CINCINNATI, OH 45242

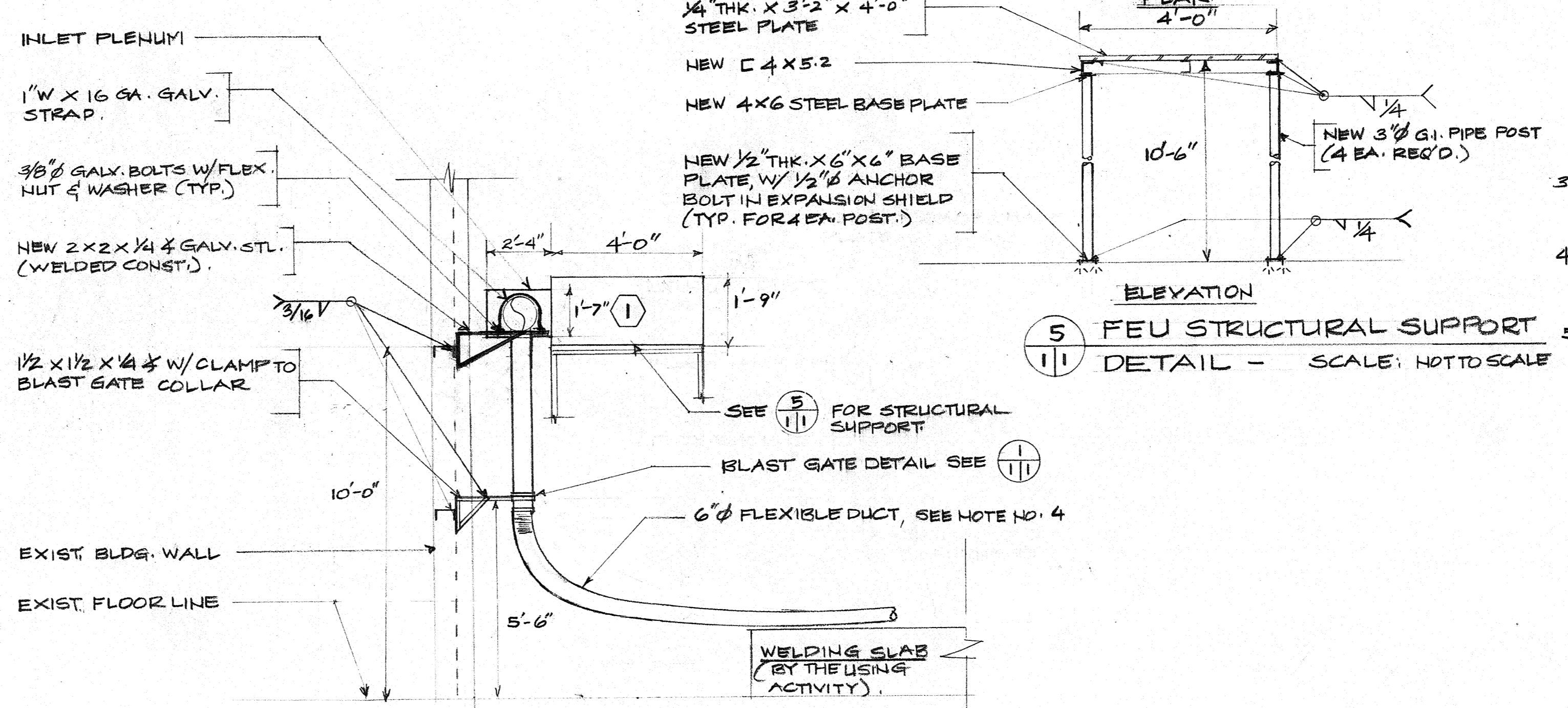
**(A) FUME ELIMINATOR UNIT PLAN**  
 I I SCALE: 1/4" = 1'-0"



**(4) FEU MOUNTING DETAIL (TYP)**  
 I I NOT TO SCALE



**(1) BLAST GATE DETAIL**  
 I I NOT TO SCALE



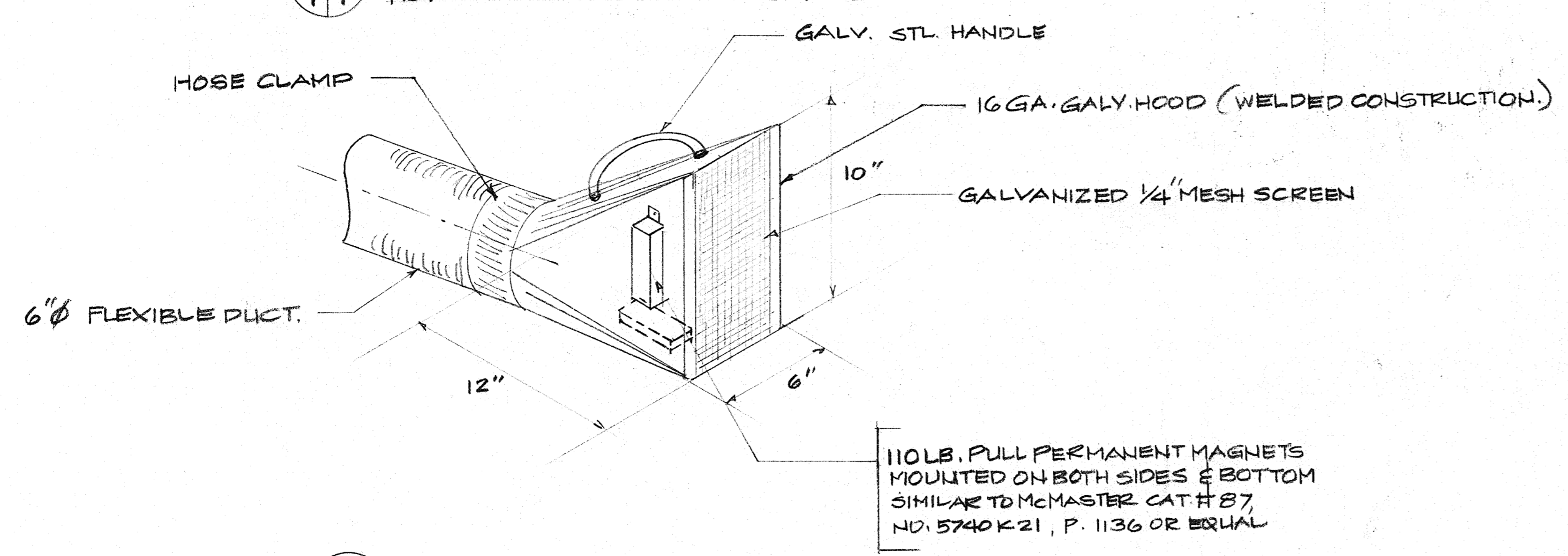
**(5) FEU STRUCTURAL SUPPORT DETAIL - SCALE: NOT TO SCALE**

**(3) SECTION**  
 I I SCALE: 3/8" = 1'-0"

- MECHANICAL NOTES**
1. VERIFY EXISTING FIELD CONDITIONS PRIOR TO CONSTRUCTION.
  2. NEW EXHAUST DUCT SHALL BE GALVANIZED STEEL SHEET WITH RIVETED AND SOLDERED JOINTS, AND SHALL BE AIR TIGHT.
 

A. THE FOLLOWING METAL THICKNESS SHALL BE FOLLOWED.

MAX. DIMENSIONS OF DUCT	U.S. STANDARD GAUGE FOR STEEL DUCT CLASS 1.
UP TO 8"	24
OVER 8" TO 18"	22
OVER 18" TO 30"	20
  3. ALL STRUCTURAL STEEL SURFACES SHALL BE CLEANED, PRIMED WITH ONE COAT OF INORGANIC ZINC (ML-P-28336) AND TOP COATED WITH VINYL PAINT (VR-3).
  4. NEW FLEXIBLE EXHAUST DUCT SHALL BE FLAME RESISTANT NEOPRENE IMPREGNATED GLASS FABRIC, SIMILAR TO MCMASTER CAT. NO. 88 NO. 5404K 21, P. 1108 OR EQUAL.
  5. NEW FLEXIBLE DUCT CONNECTION AT FUME ELIMINATOR UNIT PLENUM BOX SHALL BE FACTORY FABRICATED WITH NEOPRENE CENTER, FIRE RESISTANT WOVEN GLASS MEMBRANE IMPREGNATED AND COATED ON BOTH SIDES WITH FIRE RETARDANT AIR TIGHT WATERPROOF NEOPRENE, SIMILAR TO MCMASTER CAT. # 88, NO. 1781 K 3, P. 27, OR EQUAL.



**(2) EXHAUST INLET HOOD DETAIL**  
 I I NOT TO SCALE

DES: DEL ROSARIO, [Signature]	DEPARTMENT OF THE NAVY	NAVAL FACILITIES ENGINEERING COMMAND
DRAWN: DEL ROSARIO, [Signature]	PUBLIC WORKS CENTER	
CHK: RFB, [Signature]	GUAM, M.I.	
DIV DIR: [Signature]	SRF	BLDG. NO. 21
DEPT HEAD: [Signature]	GUAM, M.I.	
CUST: [Signature]	INSTALLATION OF WELDING FUME ELIMINATOR - SHOP 41/56	
WR NO: 50544	MECHANICAL/ELECTRICAL	PWC DRAWING NO.
APPROVED: [Signature]	DATE: 11/13/83	80091
COMMANDING OFFICER	SIZE: F	16370
SCALE: AS SHOWN	SPEC: NBY	SHEET 1 OF 1