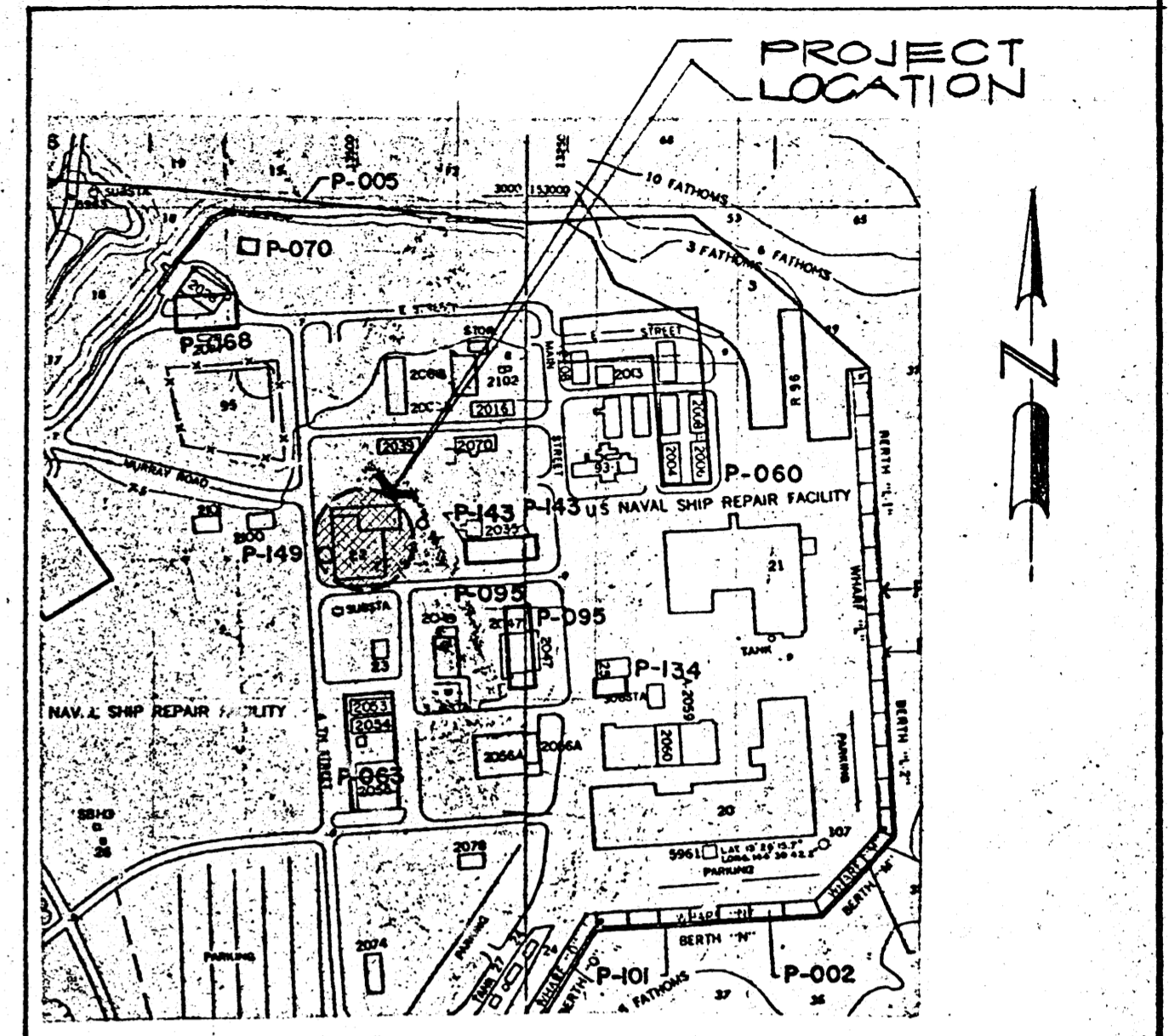


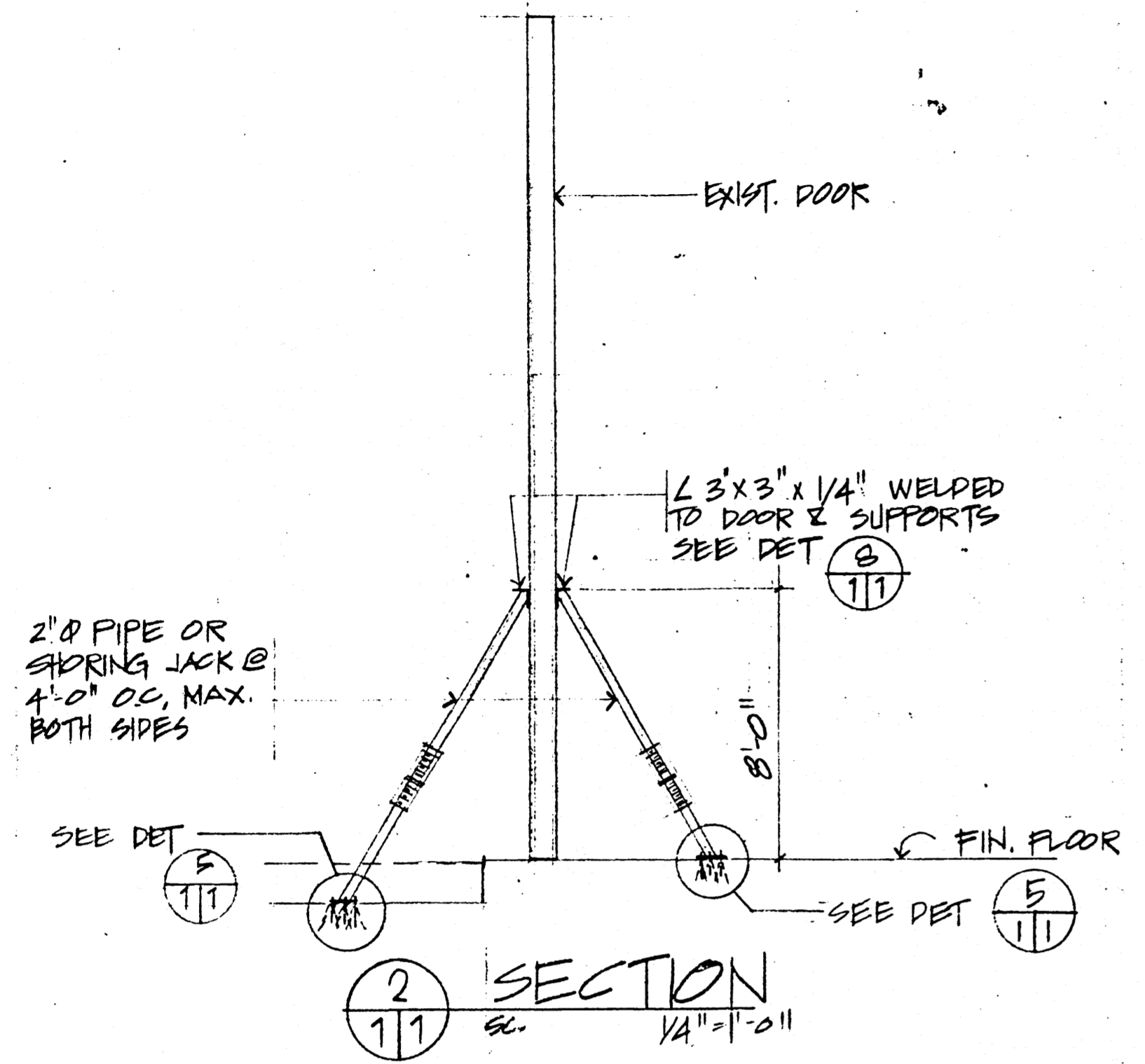
REVISIONS			
SYM	DESCRIPTION	DATE	APPROVED



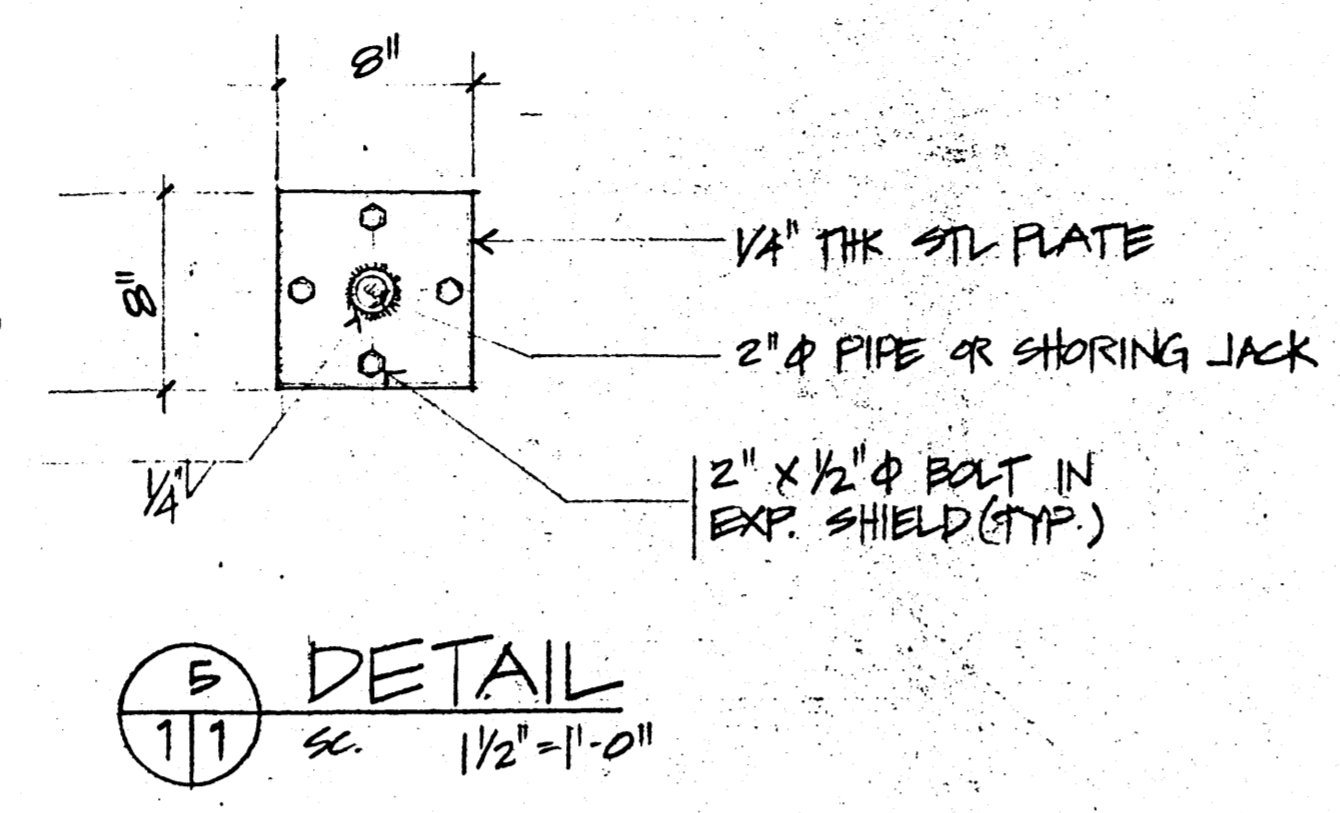
VICINITY MAP  
NOT TO SCALE

**SCOPE OF WORK**

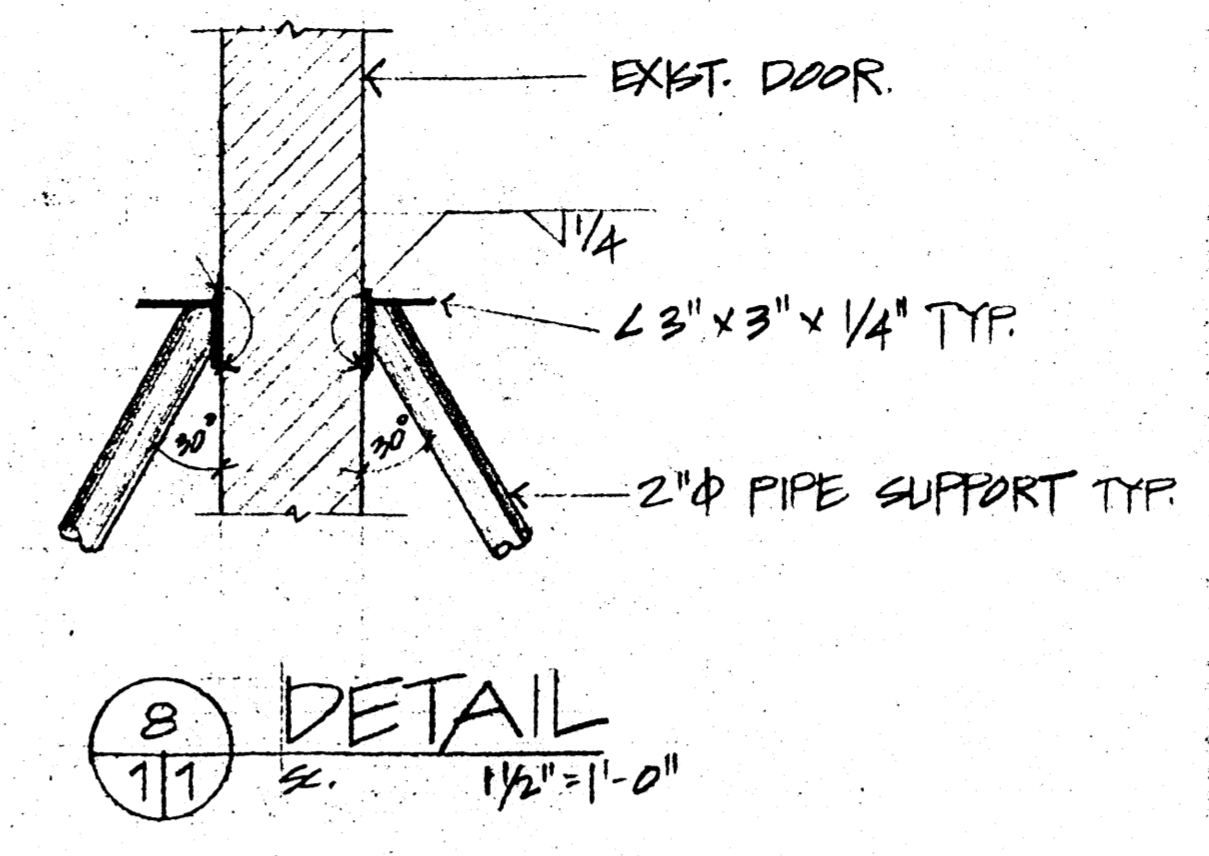
1. EXPLORE EXISTING DAMAGE HINGE PIN, PIPE SLEEVE, STEEL FLOW BLOCK AND OTHER PARTS WITH THE USING AGENCY PERSONNEL AND ENGINEER-IN-CHARGE
2. PROVIDE AND INSTALL ADEQUATE SHORING FOR THE EXISTING DOOR PRIOR TO CUTTING AND REMOVAL OF EXISTING PORTION OF THE PIPE HINGE
3. CUT AND REMOVE PORTION OF EXISTING PIPE HINGE AS SHOWN
4. CARE MUST BE EXERCISED NOT TO DAMAGE THE CUT OFF PORTION OF THE PIPE HINGE FOR FUTURE USE



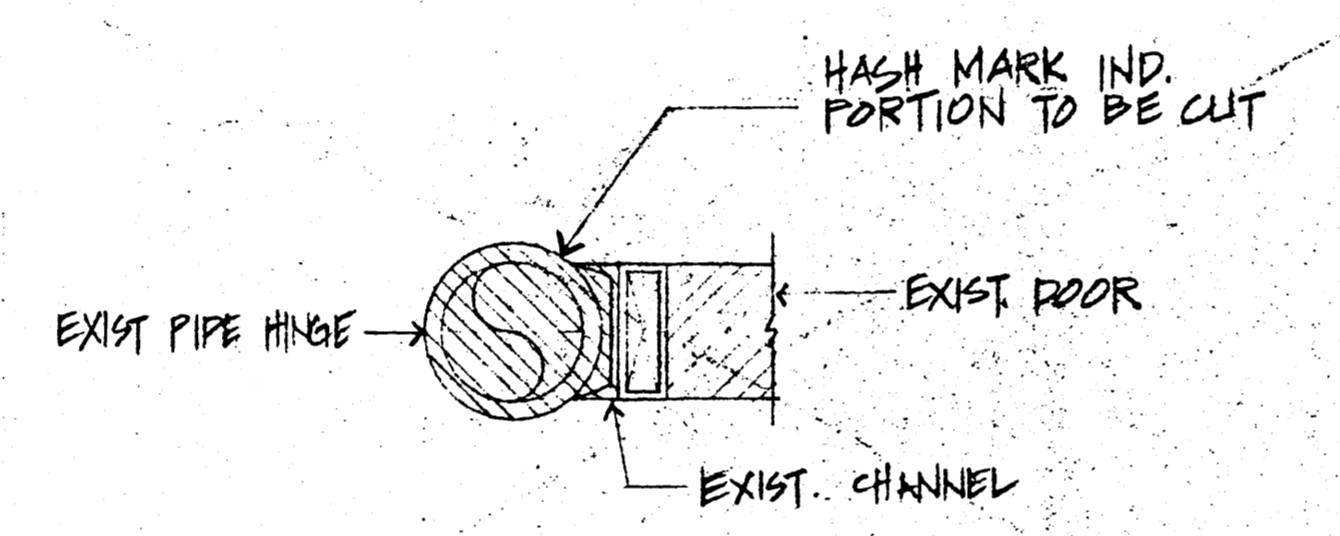
SECTION 2  
SCALE: 1/4" = 1'-0"



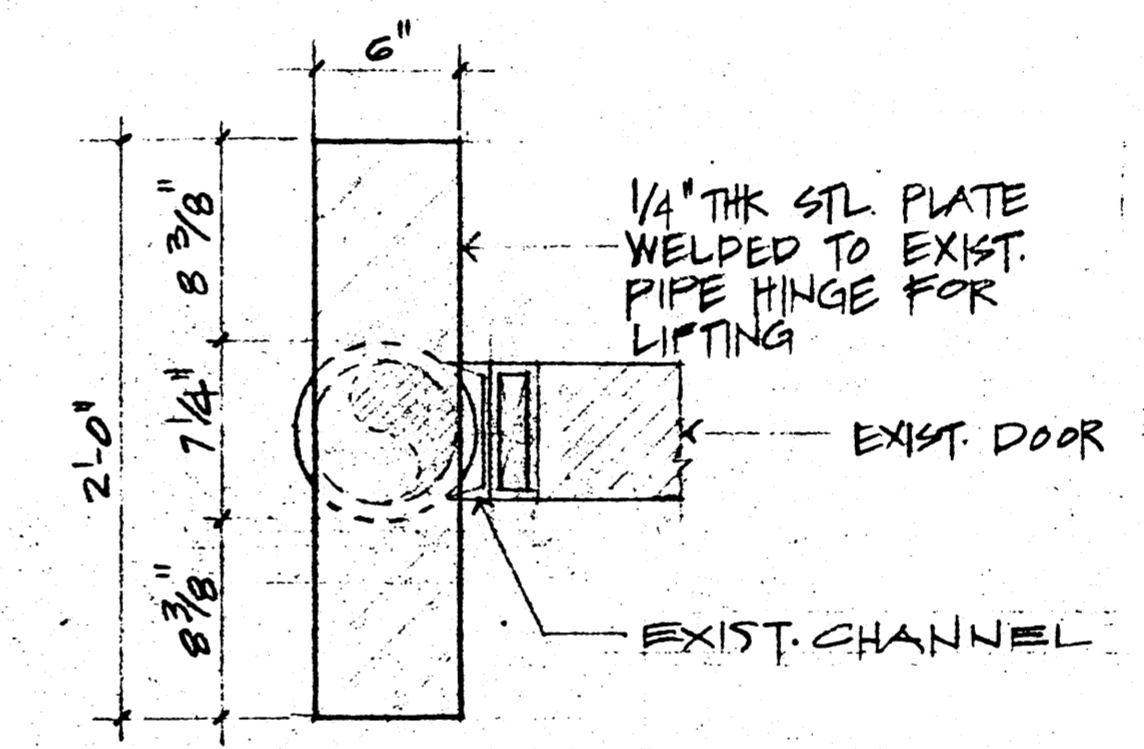
DETAIL 5  
SCALE: 1/2" = 1'-0"



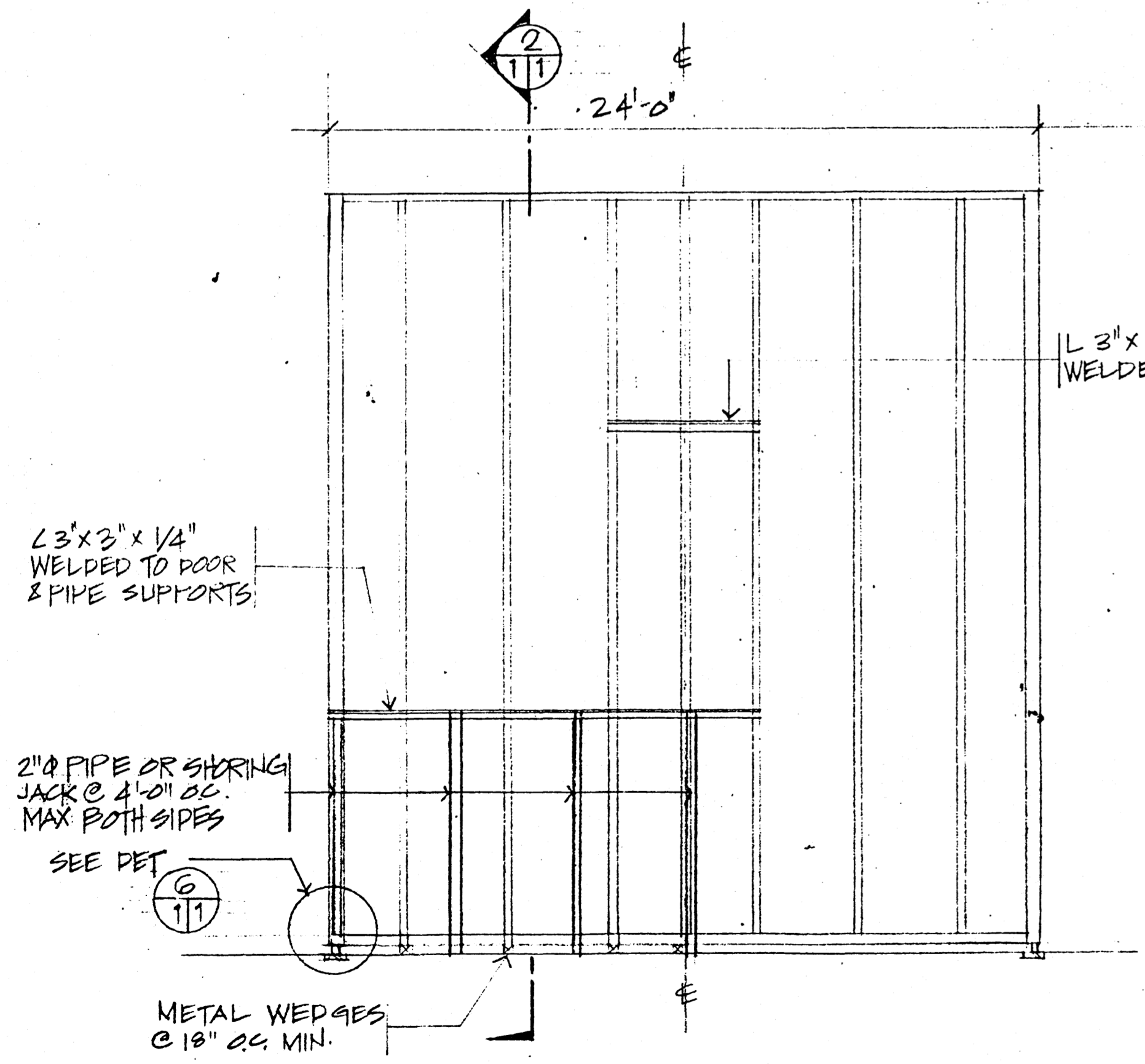
DETAIL 8  
SCALE: 1/2" = 1'-0"



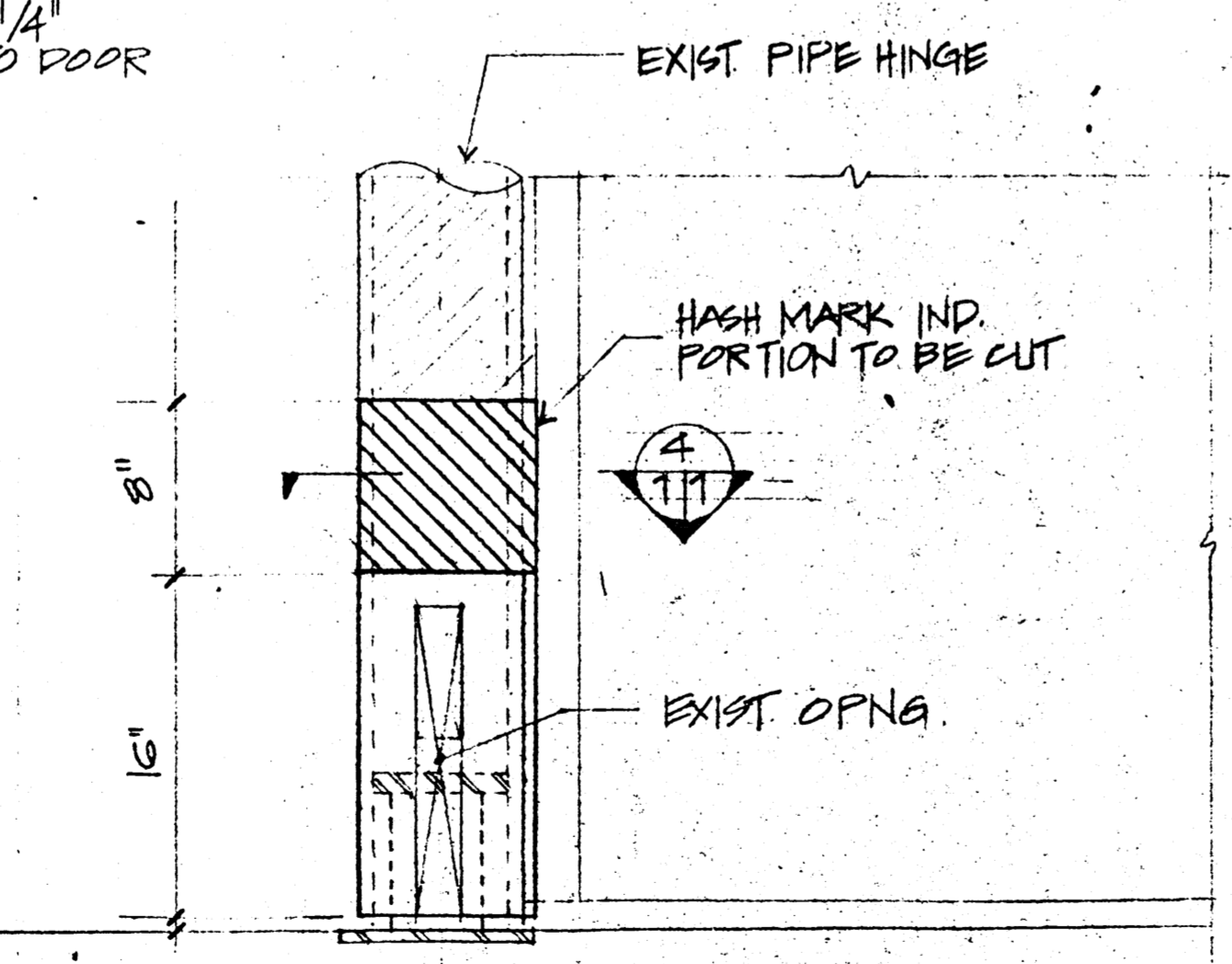
SECTION 4  
SCALE: 1/2" = 1'-0"



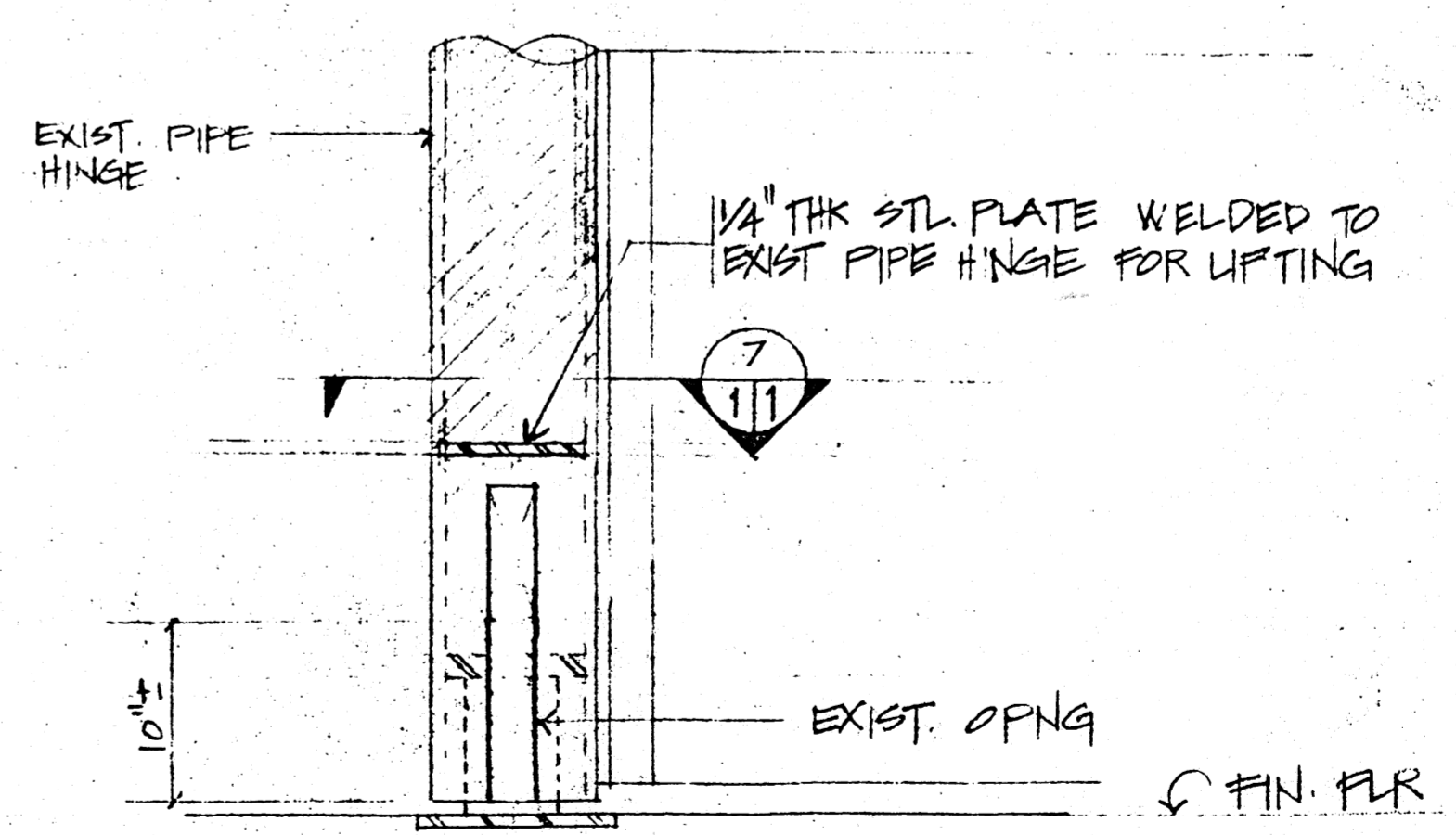
DETAIL 7  
SCALE: 1/2" = 1'-0"



ELEVATION 1  
SCALE: 1/4" = 1'-0"



DETAIL 3  
SCALE: 1/2" = 1'-0"



DETAIL 6  
SCALE: 1/2" = 1'-0"

DES: M.R.C.	DEPARTMENT OF THE NAVY NAVAL FACILITIES ENGINEERING COMMAND
DRAWN: R.I.G.	PUBLIC WORKS CENTER
CHK: E.R. Diaz	GUAM, M.I.
DIV DIR: M. J. ...	SRF
DEPT HEAD: M. J. ...	REPAIR DOOR SANDBLAST FACILITY @ BLDG. 22 (STRUCTURAL)
CUST: WR NO 50185	
APPROVED: [Signature]	CODE IDENT NO: 80091
DATE: 11/20/10	SIZE: D
ACTIVITY CIVIL ENGINEER	P.W.C. DRAWING NO: 16782
APPROVED: [Signature]	SCALE: _____
DATE: _____	SPEC: _____
SATISFACTORY TO CODE 20A	PRODUCTION OFFICER: _____
	SHEET 1 OF 1