

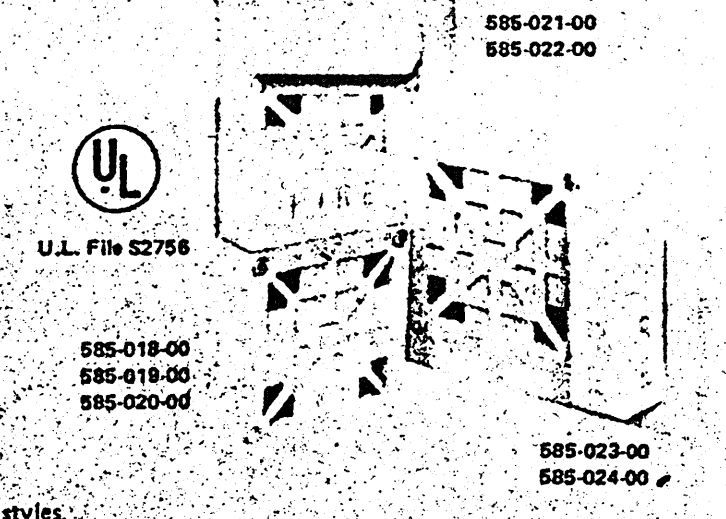
REVISIONS		
SYM	DESCRIPTION	DATE

- LEGEND:**
- ◁ NEW AUDIO/VISUAL ALARM
 - NEW CONDUIT RUN
 - ◁ EXISTING FIRE ALARM HORN
 - ◻ EXISTING FIRE ALARM PANEL

- SCOPE OF WORK**
1. Install Audio/Visual Alarms, conduit and wiring as shown for Bldg. 21, SRF.
 2. Provide recessed or surface-mounted approved audio/visual alarm devices consisting of a single or double projector vibrating type alarm horn suitable for use in an electrically supervised circuit and top mounted integral flashing strobe light. Horn shall have a sound rating of at least 90 decibels at 10 feet. Strobe light shall have a ruby-colored lens and shall pulse in March - time sequence.
 3. The new audio/visual alarm devices shall be wired to the existing alarm horns circuit.
 4. Devices are shown in suggested locations. Final layout shall be in accordance with applicable codes and the customer requirements.
 5. All installation shall be in accordance with the latest national fire protection codes.

HORN/STROBE

AC AND DC MODELS
SURFACE, SEMI-FLUSH
OUTDOOR INSTALLATION

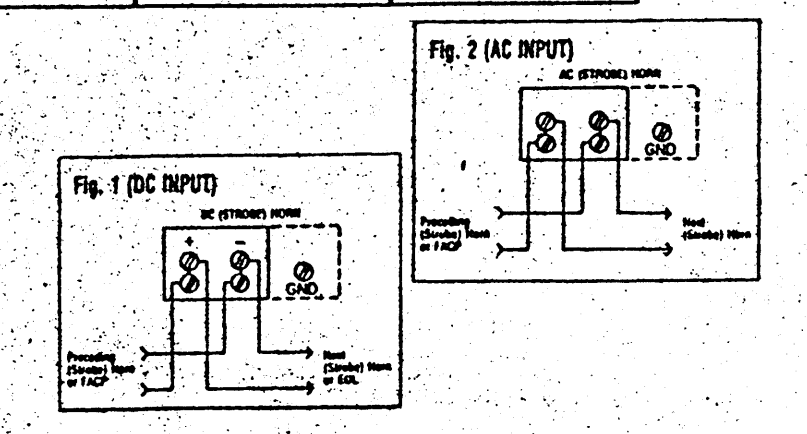


Three horn/strobe combinations offer a variety of styles, voltages and mounting options. These horn/strobes are ideal for fire alarm applications where high sound output, low current draw and dependability are important. The dc models are compatible with unregulated power supplies and are solarized. The horn/strobe combinations draw no more current than a horn alone, but provide the valuable addition of visual notification. The strobes provide 8,000 peak candi-candlepower with FIRE imprinted on a white lens. All models are finished in textured red enamel and have screw terminals for in-out wiring.

Part Number	Input Voltage	Rated Current	Anechoic Chamber dB @ 10 ft.	Mounting Options
588-018-00	116 Vdc	0.160	95	Surface Exposed or concealed
588-018-00	12 Vdc	0.125	92	conduit, outdoor, semi-flush
588-020-00	24 Vdc	0.063	92	Flush
588-021-00	12 Vdc	0.125	92	Flush
588-022-00	24 Vdc	0.063	92	Flush
588-023-00	12 Vdc	0.125	92	Flush
588-024-00	24 Vdc	0.063	92	Flush

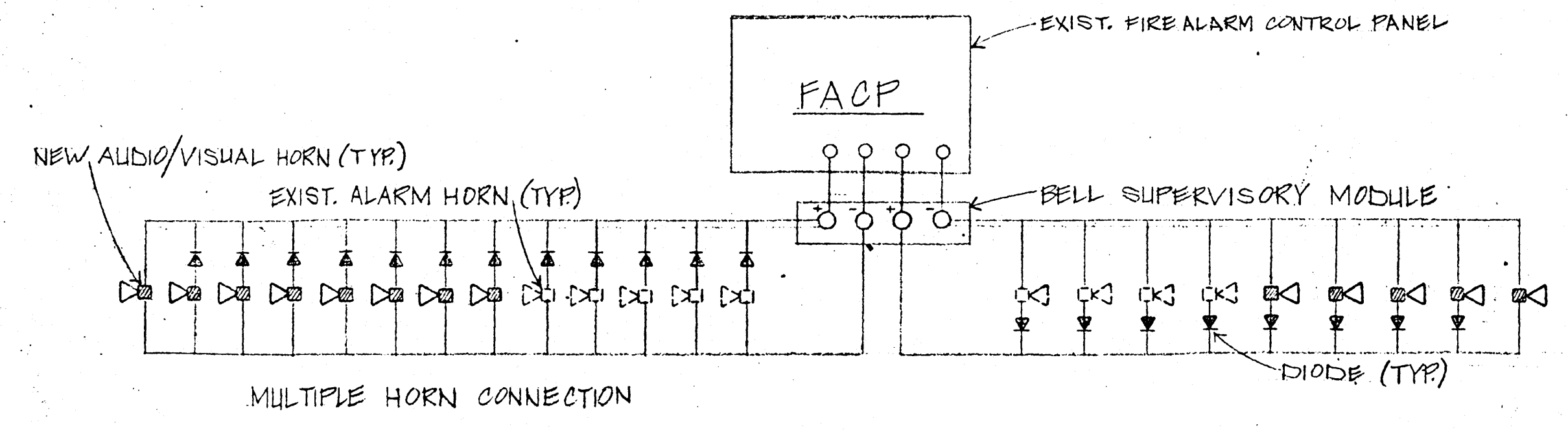
MOUNTING HARDWARE

Part Number	Description
588-005-00	Back Box, Surface, Exposed and Concealed Conduit
588-006-00	Adaptor Plate, Surface, Concealed Conduit
588-007-00	Weatherproof Back Box
588-008-00	Semi-Flush Plate
588-009-00	Flush Mount Back Box

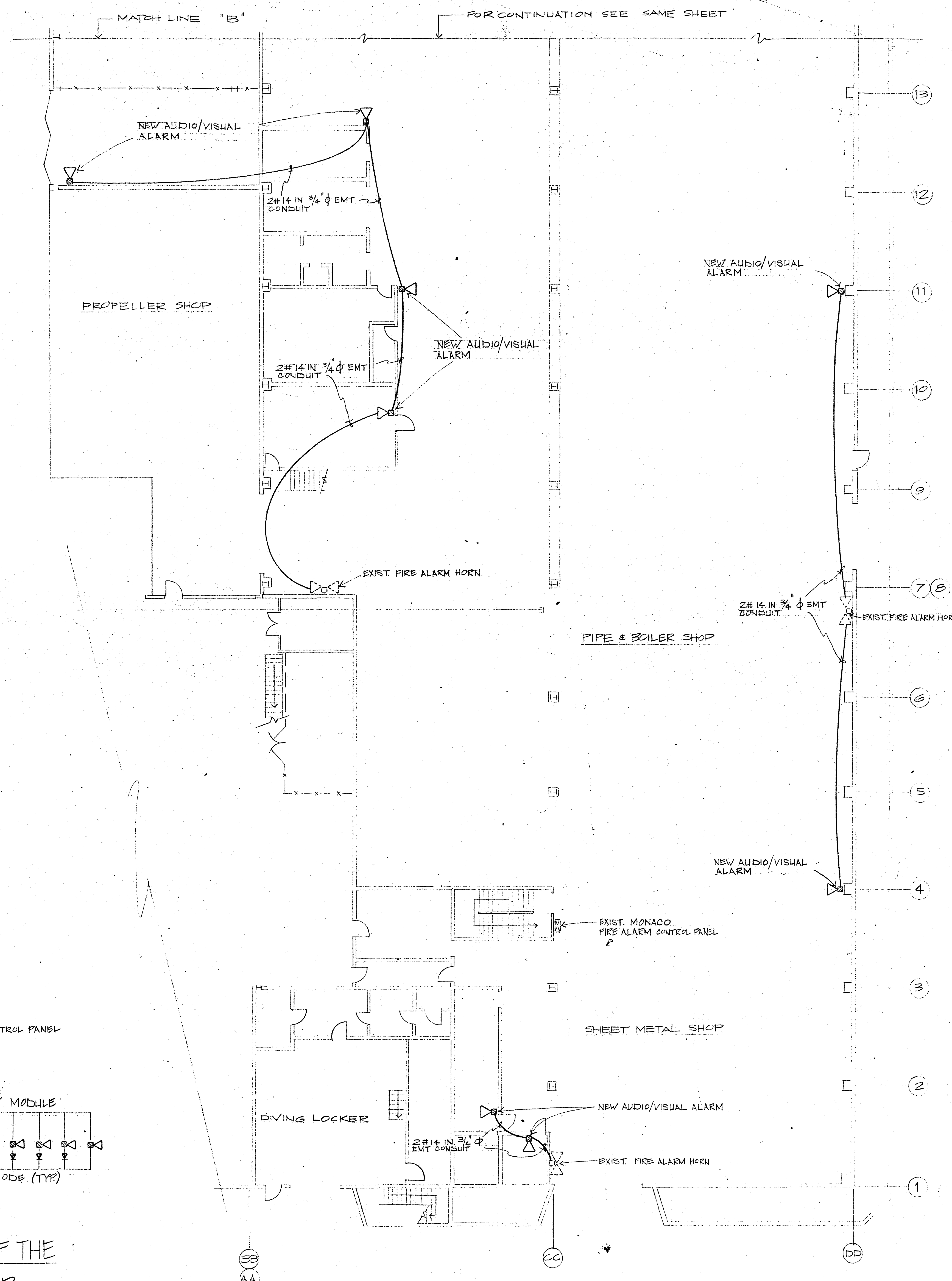


SUGGESTED PRODUCT OR EQUAL

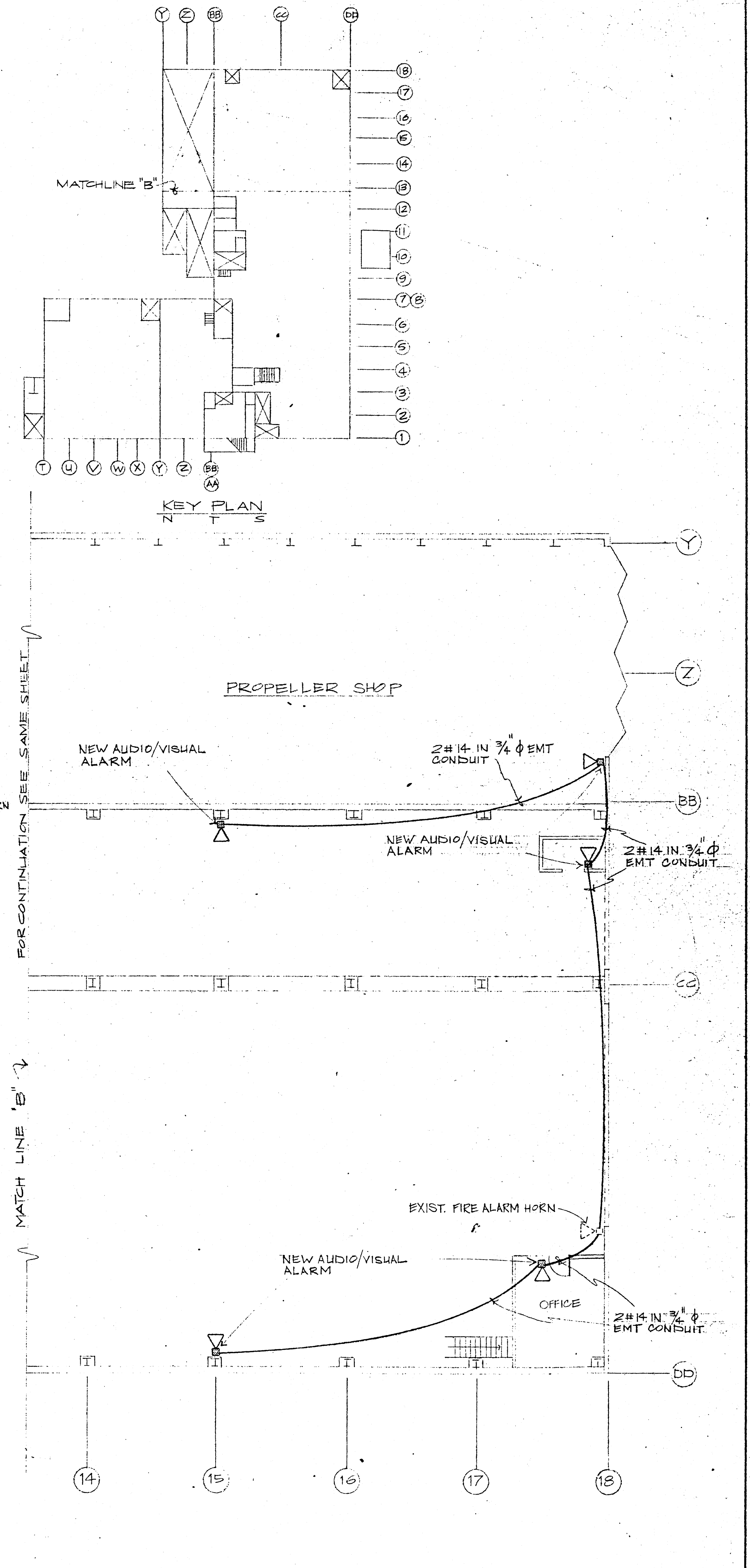
ENGINEERING MANUFACTURING - INSTALLATION OF SYSTEM CONTROLS & COMPONENTS
MONACO LINE EQUIPMENT, INC. 1987



B PARTIAL SCHEMATIC DIAGRAM OF THE EXISTING MONACO C-100A-12 FACP



A FIRE ALARM FLOOR PLAN



DES RVL	DEPARTMENT OF THE NAVY	NAVAL FACILITIES ENGINEERING COMMAND
DRAWN RVL	PUBLIC WORKS CENTER	
CHK <i>h...</i> 1/16/88	GUAM, M. I.	
DIV DIR	SRF	GUAM M.I.
DEPT HEAD <i>T.M. ...</i>	INSTALL ADDITIONAL FIRE ALARM HORNS IN BLDG. 21, SRF	
SCHEMATIC	WR NO 50985	PWC DRAWING NO.
APPROVED <i>T.M. ...</i>	DATE 1/28/88	80091 F 17,352
SATISFACTORY TO	SCALE 3/8" = 1'-0"	SHEET 1 OF 1

DRAWING 44151 25850