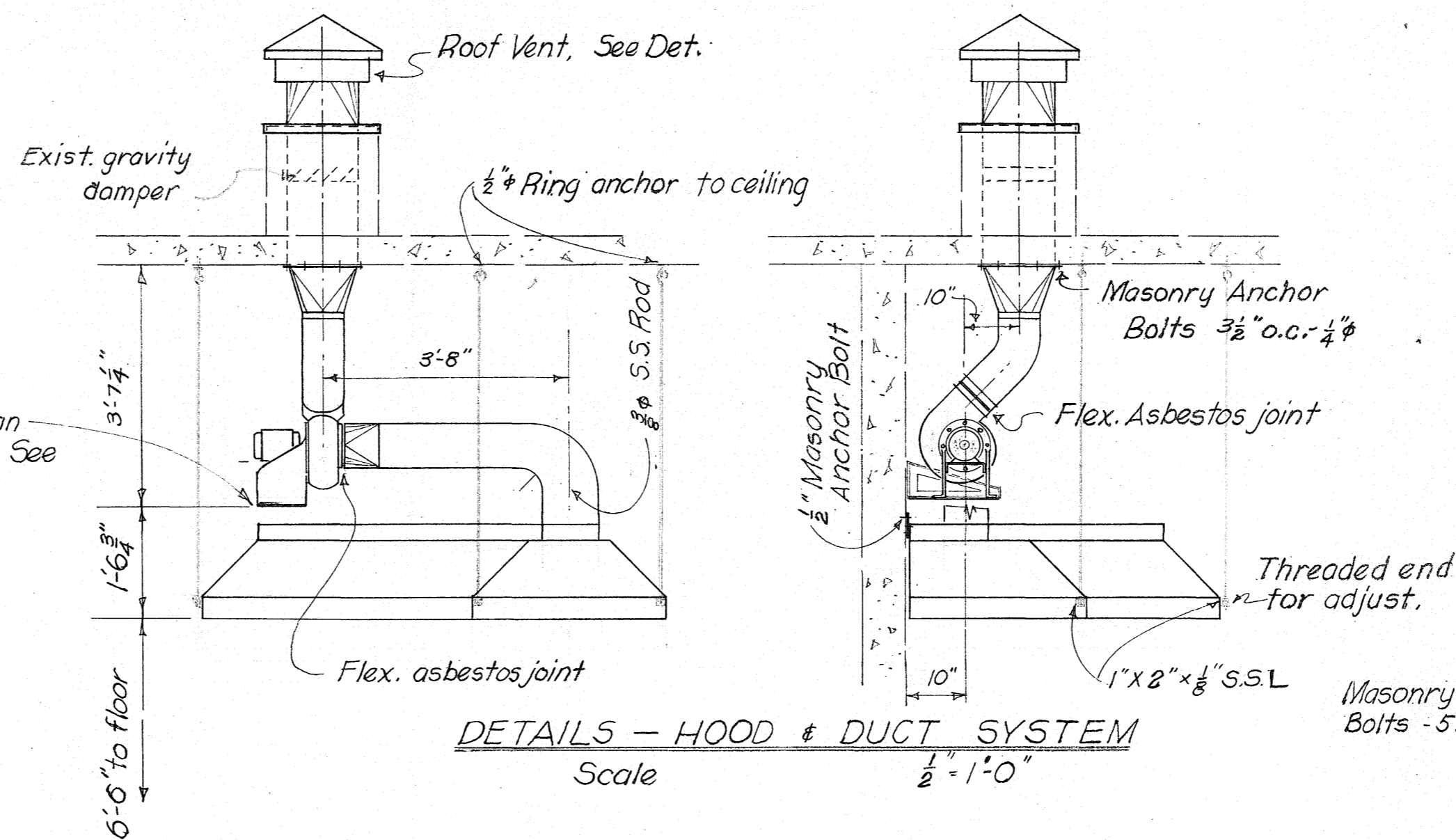
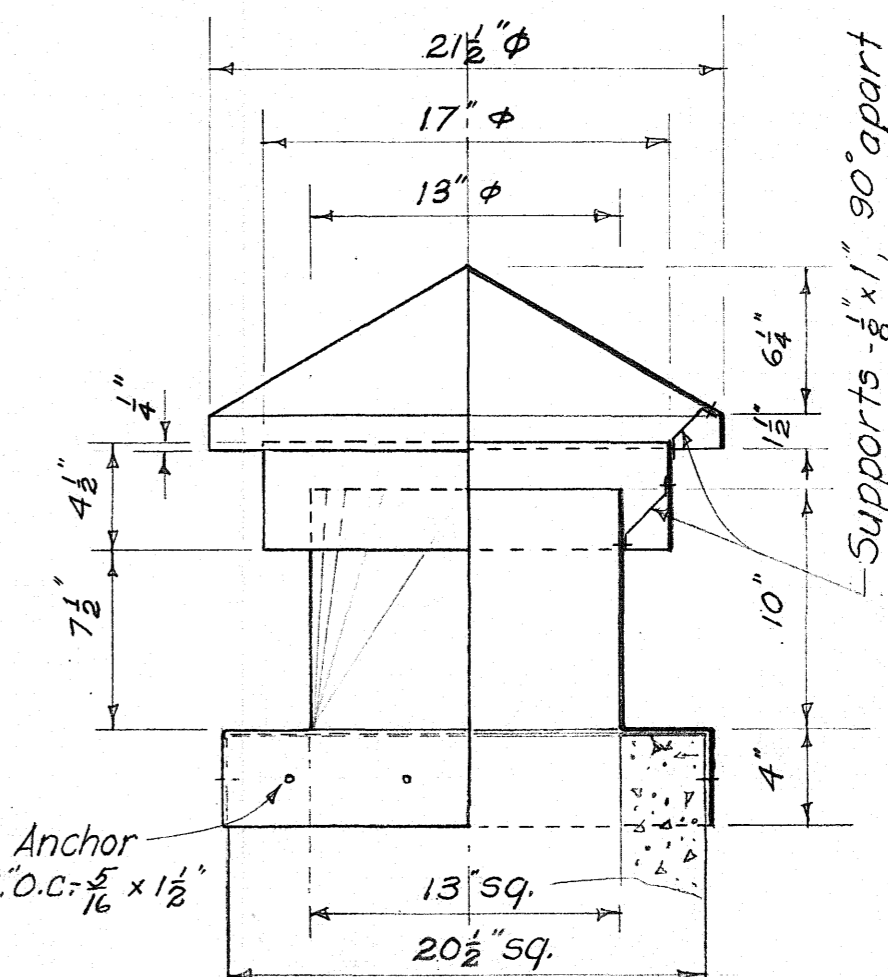


FRONT ELEVATION
Scale $\frac{1}{4}'' = 1'-0''$

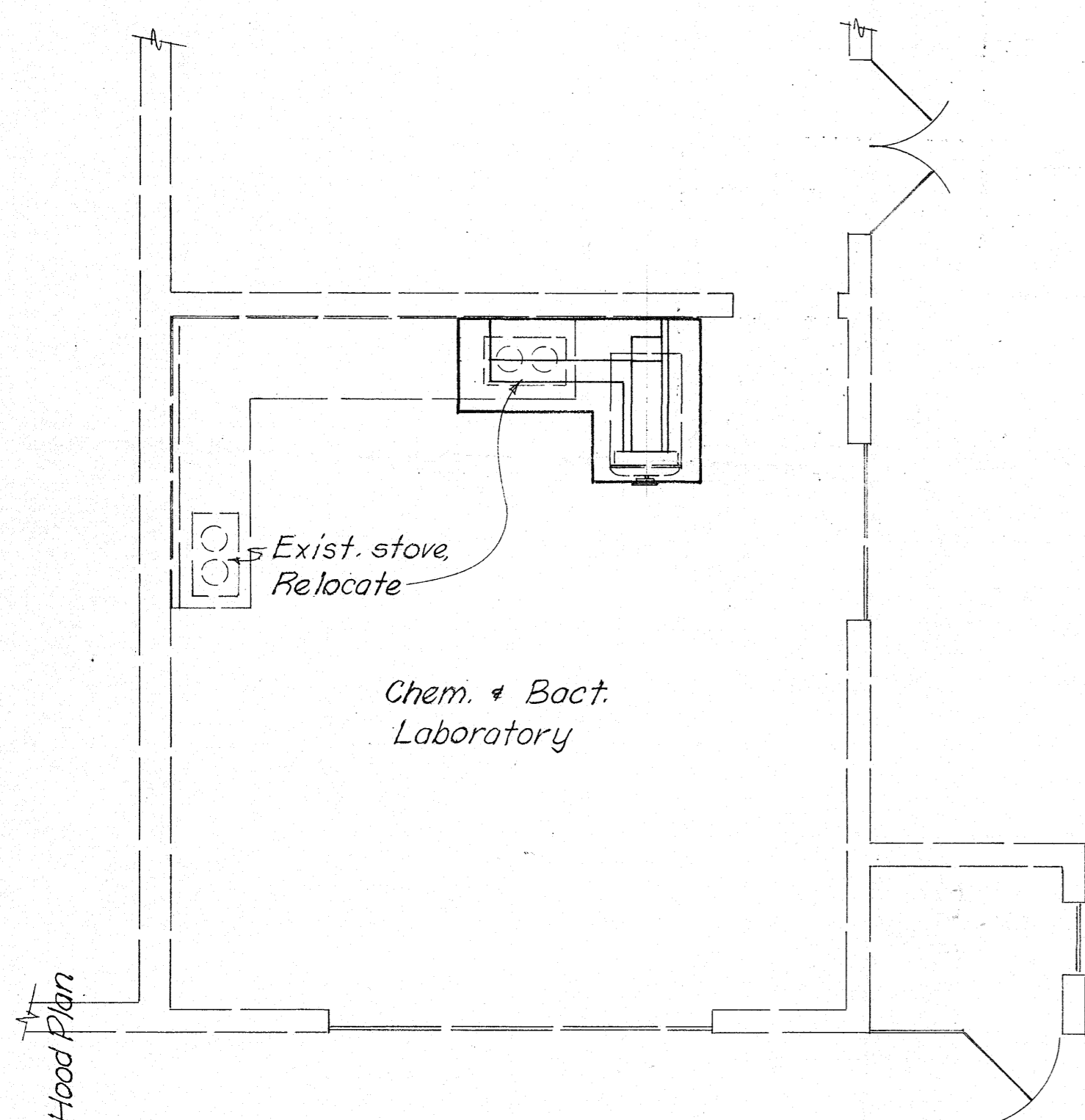
SIDE ELEVATION
Scale $\frac{1}{4}'' = 1'-0''$



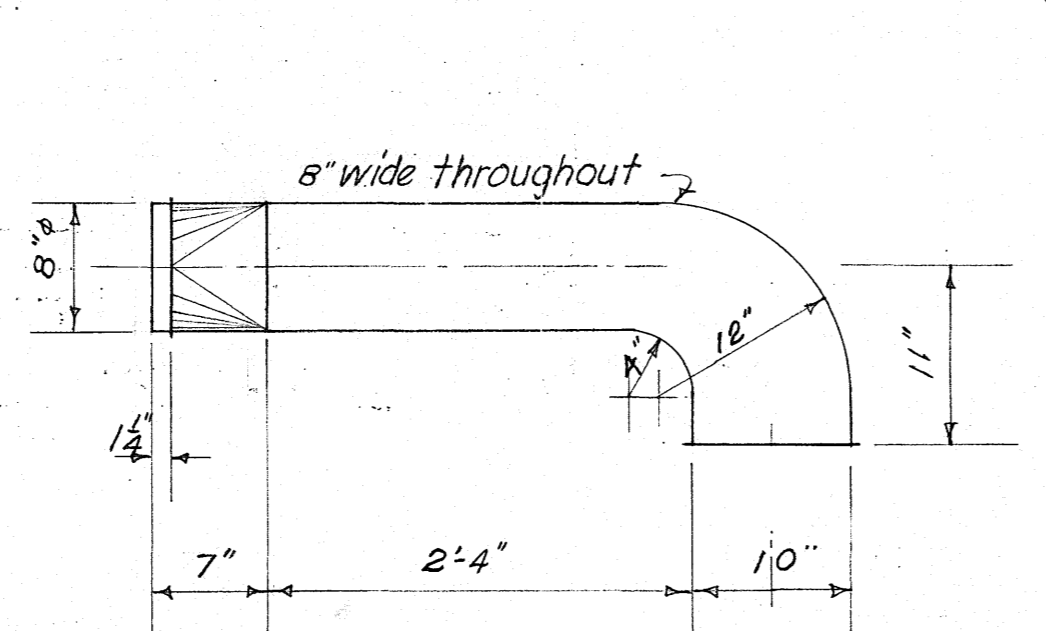
DETAILS - HOOD & DUCT SYSTEM
Scale $\frac{1}{2}'' = 1'-0''$



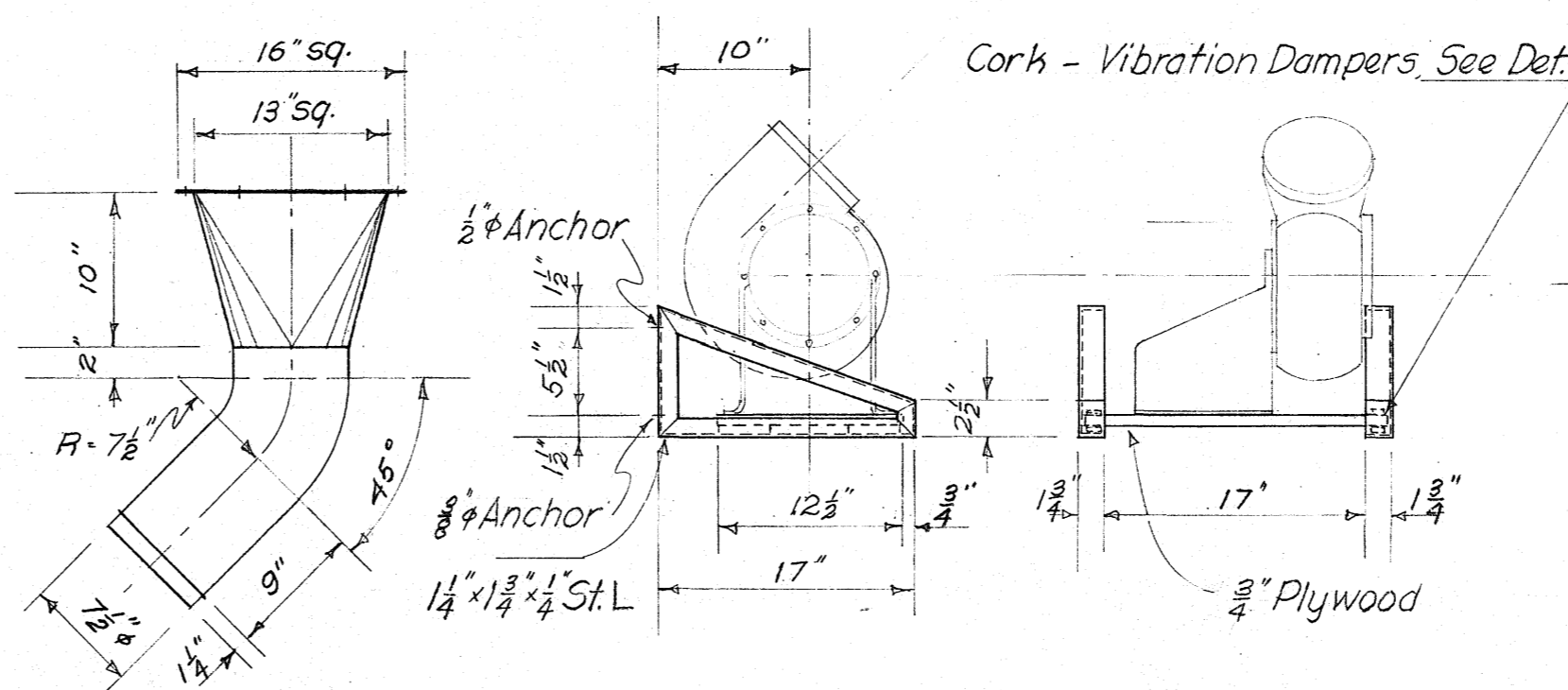
DET. ROOF VENT
Scale $\frac{1}{2}'' = 1'-0''$



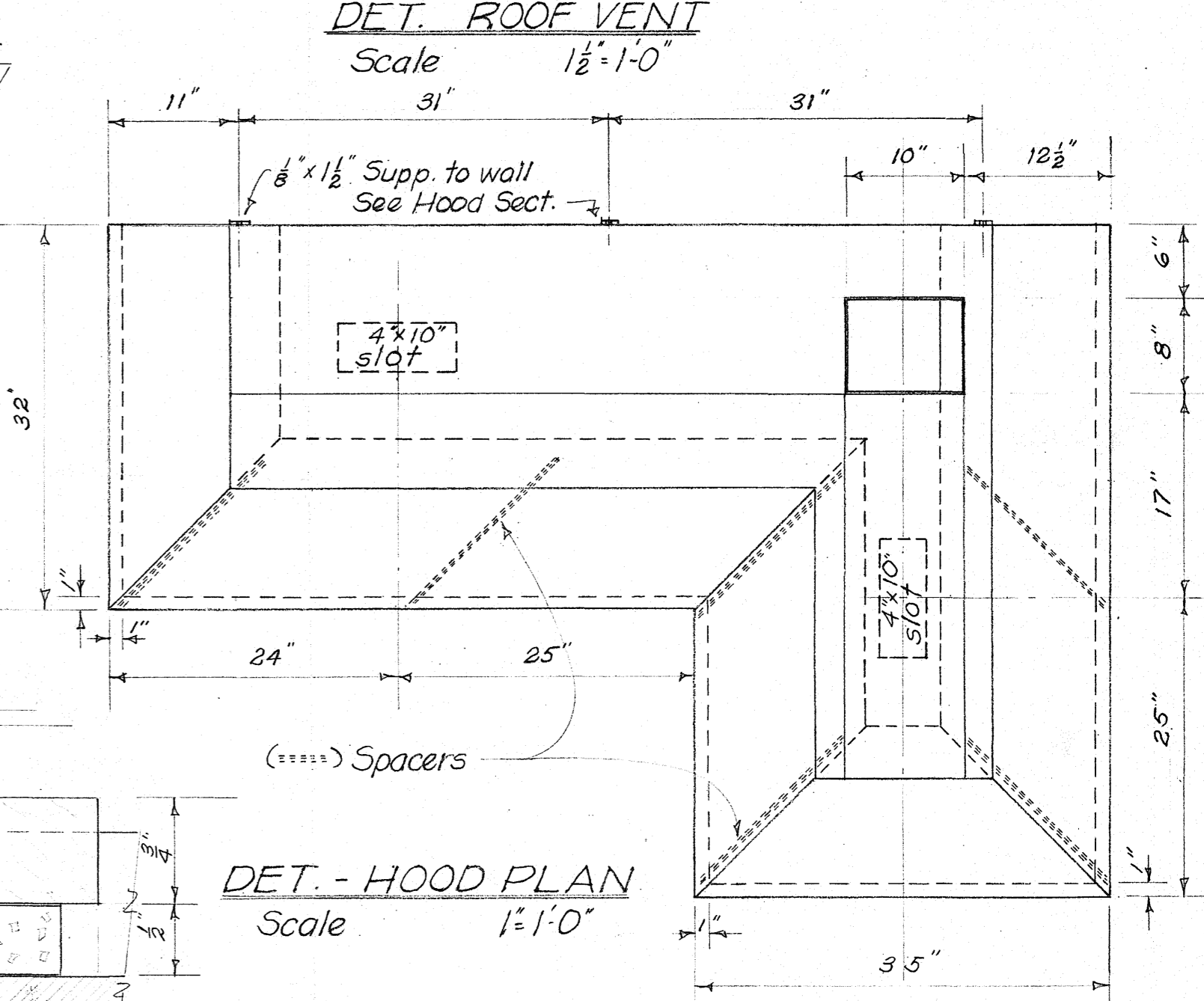
PLAN
Scale $\frac{1}{4}'' = 1'-0''$



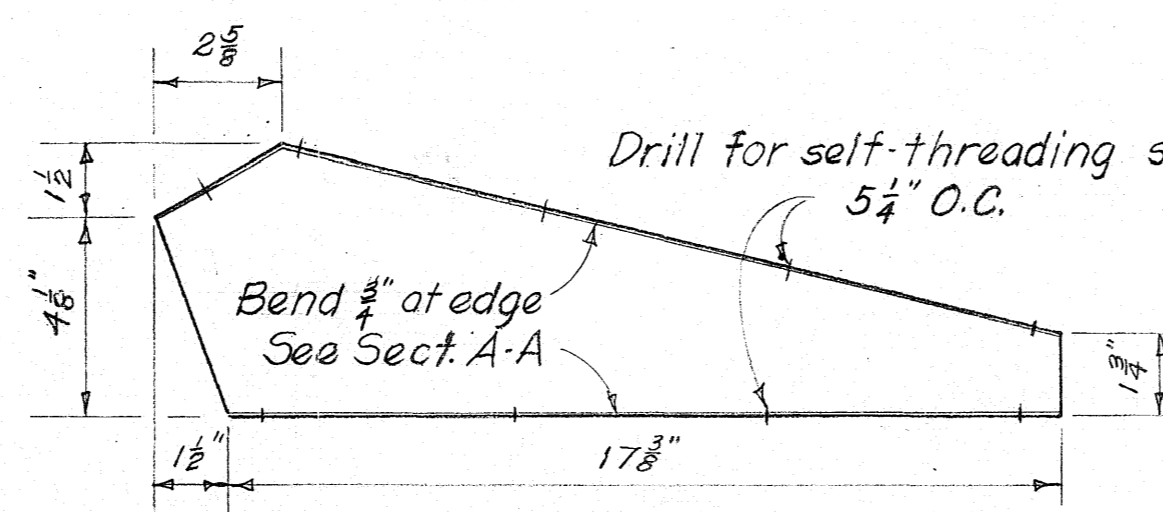
DETAILS DUCTS
Scale $1'' = 1'-0''$



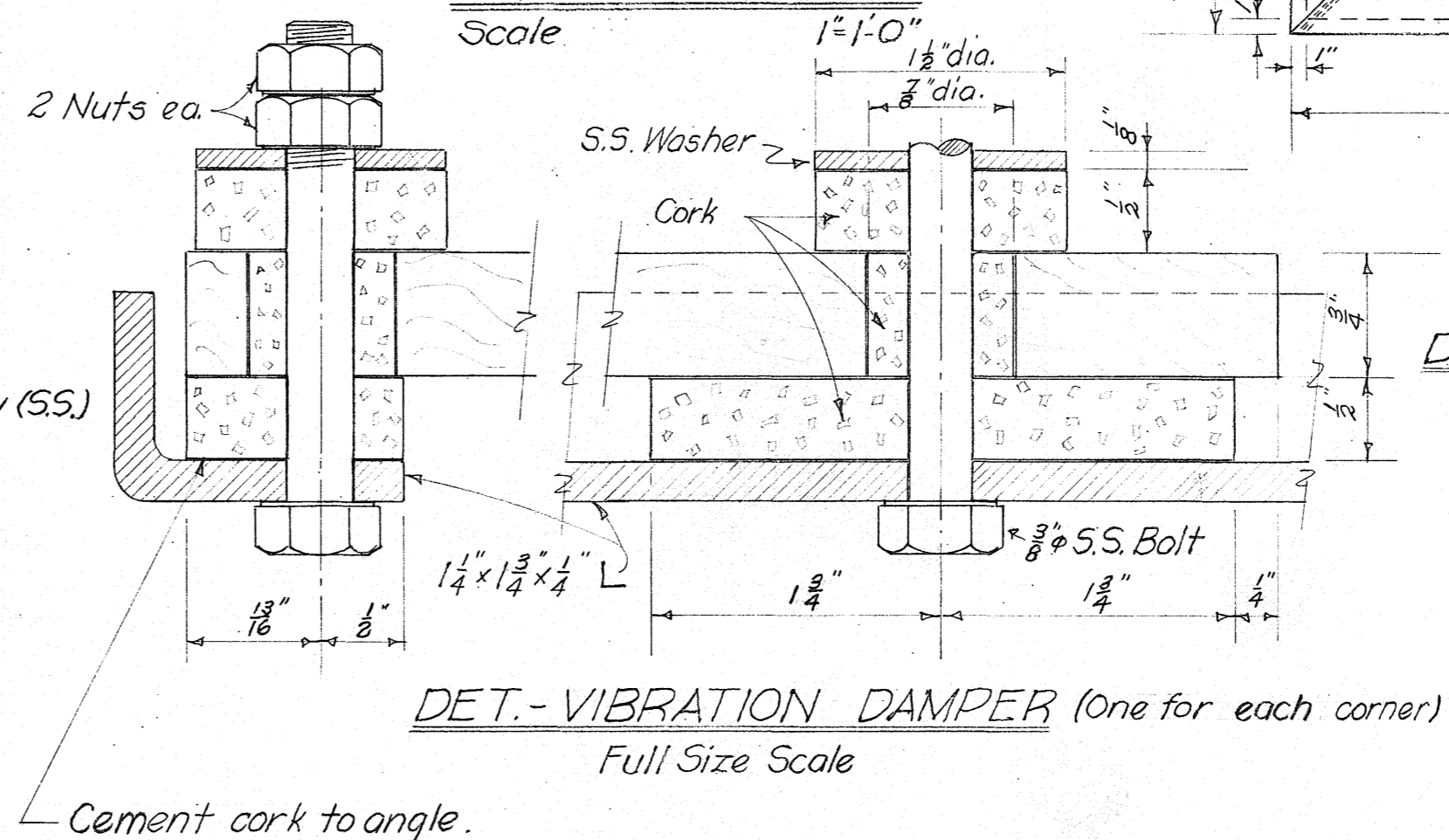
DET. FAN BRACKET
Scale $1'' = 1'-0''$



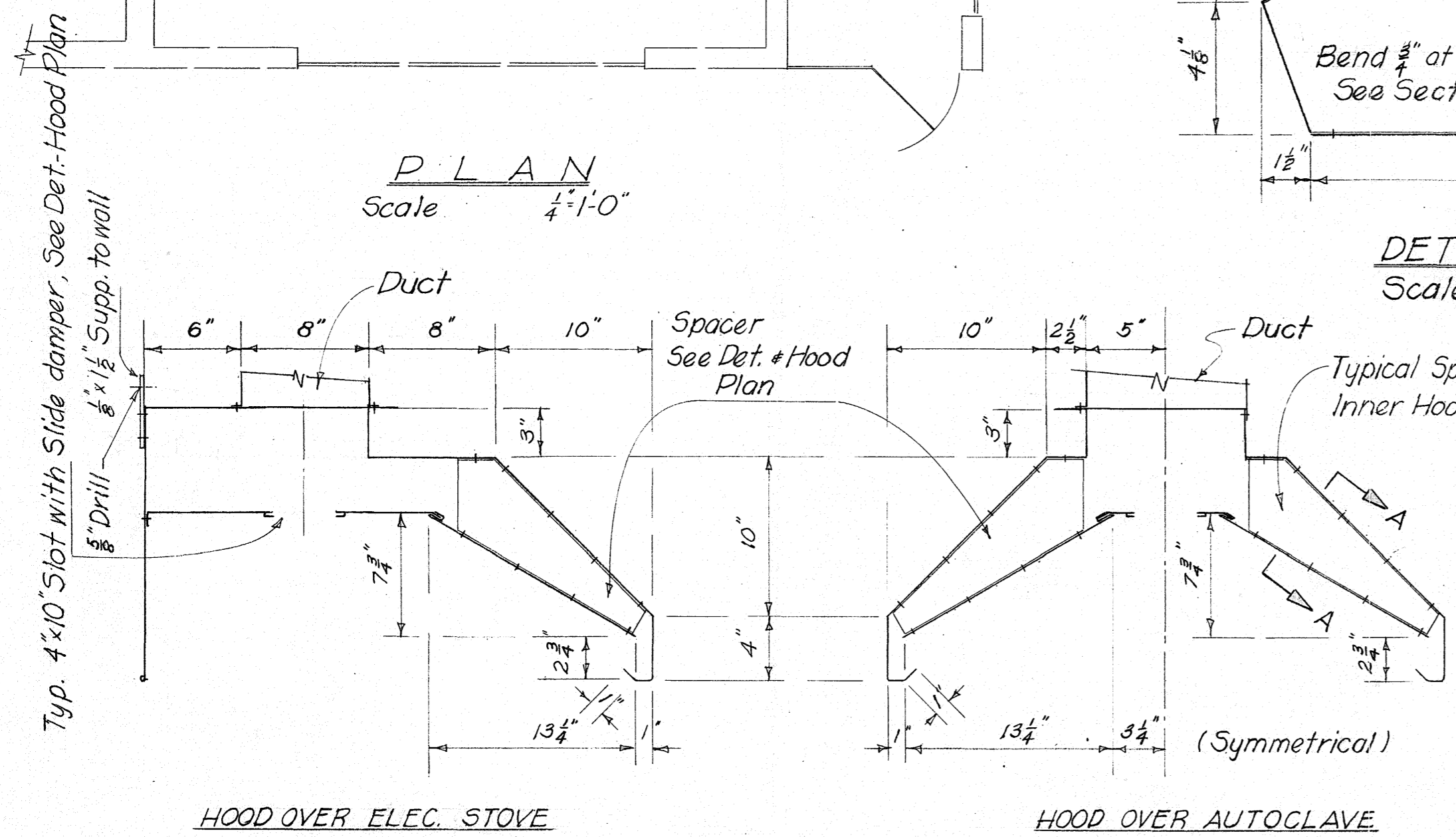
DET. - HOOD PLAN
Scale $1'' = 1'-0''$



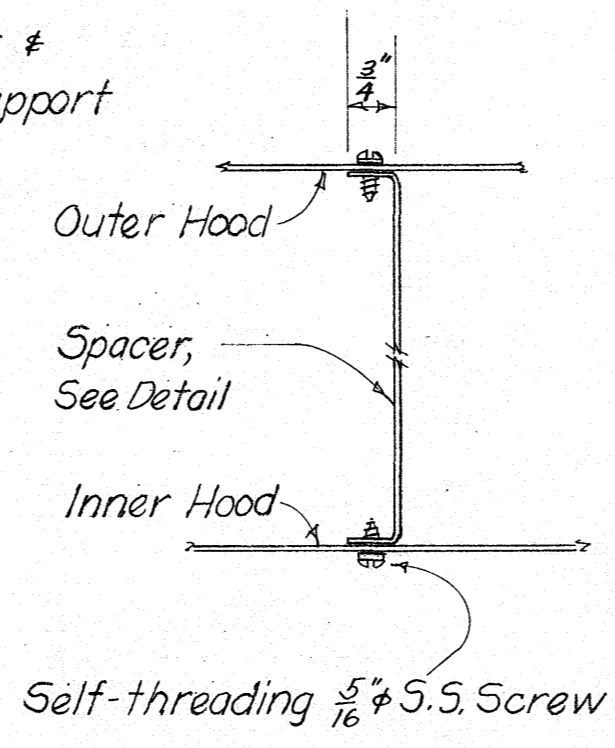
DET. - SPACER (Typical)
Scale $3/4'' = 1'-0''$



DET. - VIBRATION DAMPER (One for each corner)
Full Size Scale



HOOD SECTIONS
Scale $\frac{1}{2}'' = 1'-0''$



SECT. A-A
No Scale

NOTES

1. Fan shall be Buffalo "BabyVent" Set, Size E, and painted with acid-proof paint. Motor shall be $\frac{3}{4}$ hp. revolving at 1725 Rpm. Capacity - 756 Cfm. at $\frac{1}{2}$ " S.P.
2. Sheets for hoods, ducts and roof vent shall be of # 22 ga. Stainless steel, Type 302.
3. Bolts, Nuts, Screws and all hardware used in connection with the hood shall be of same type stainless steel as specified for sheets.
4. Cork vibration damper material shall weigh not less 0.7 lbs. per board foot.

SYMBOL	DESCRIPTION	DATE	APPROVAL
REVISIONS			
DEPARTMENT OF THE NAVY		BUREAU OF YARDS & DOCKS	
PUBLIC WORKS CENTER GUAM, M. I.			
DES. <i>Narris</i>		FENA WATER TREATMENT PLANT GUAM, M.I.	
DRAWN <i>VALENCIA</i>		CHEMICAL STORAGE BLDG. CHEM. & BACT. LABORATORY INST. OF HOOD & EXHAUST SYSTEM	
CHK. <i>JAS.</i>			
DIV. MGR. <i>Walter</i>		MECHANICAL - ELECTRICAL	
DEPT. DIR. <i>Walter</i>			
W.R. NO. 7222		APPROVED <i>[Signature]</i> DATE 2/7/56	
A.K. H. Beaulieu		SCALE As Indicated SPEC.	
SHEET / OF /		PWC DRAWING NO. 9/16/7303	
ISSUES			

THIS DWG IS SUPERSEDED BY PWC 7391 ?