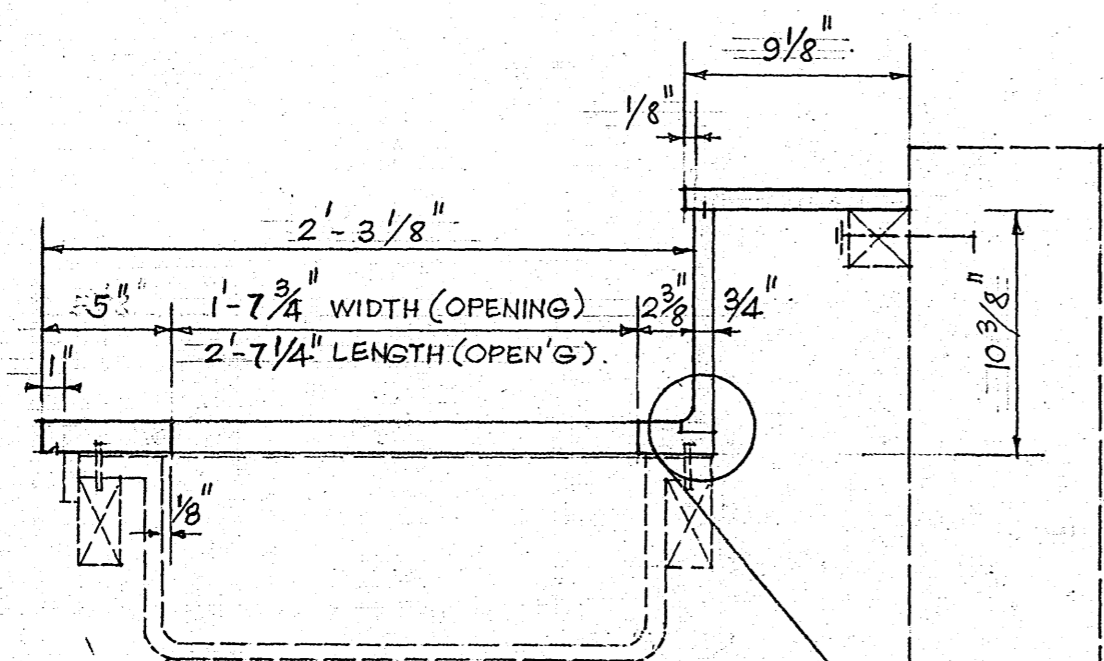
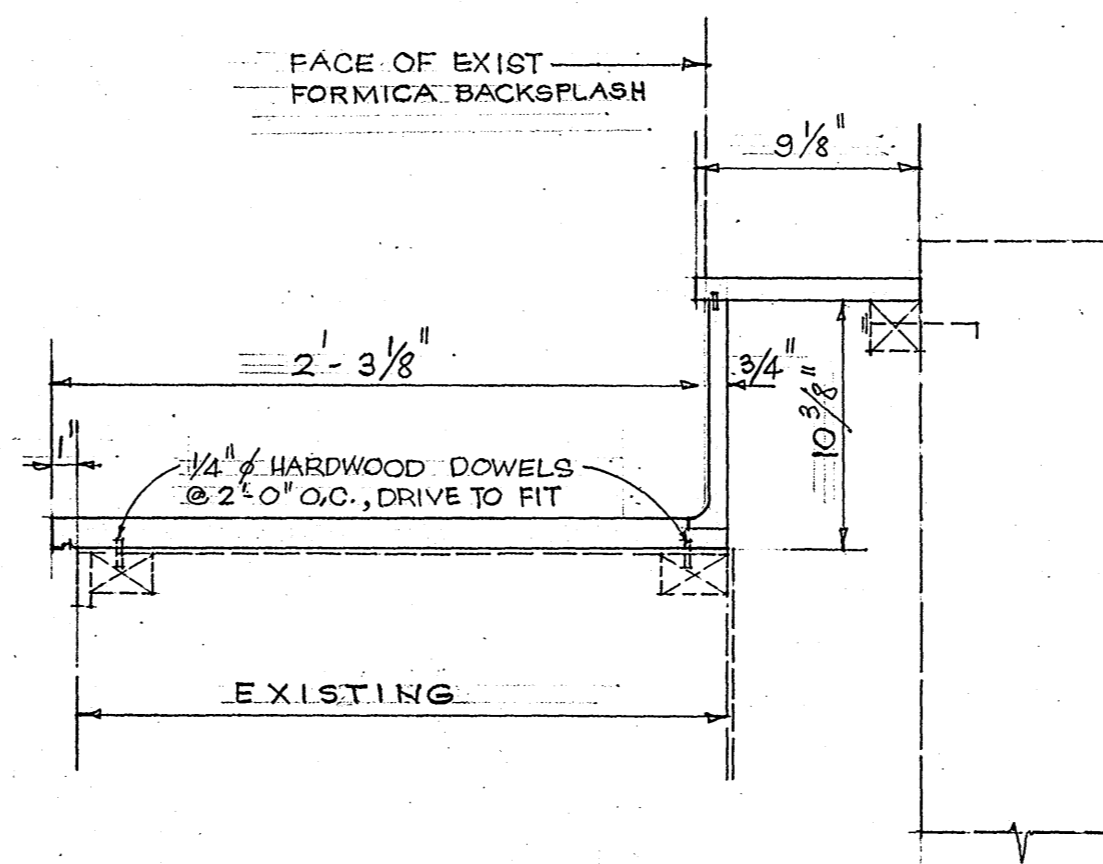


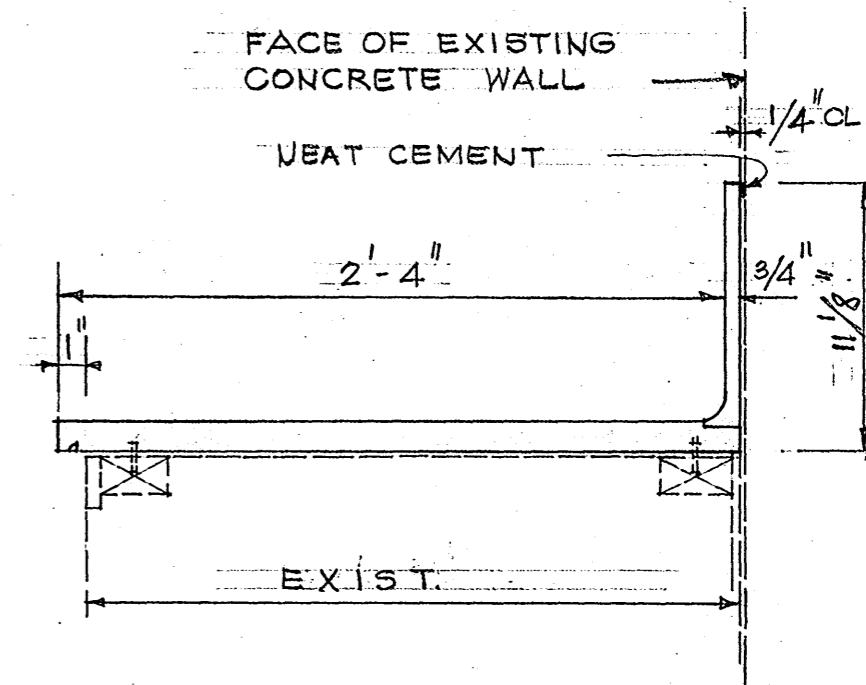
**PLAN**  
SCALE 1/4" : 1'-0"



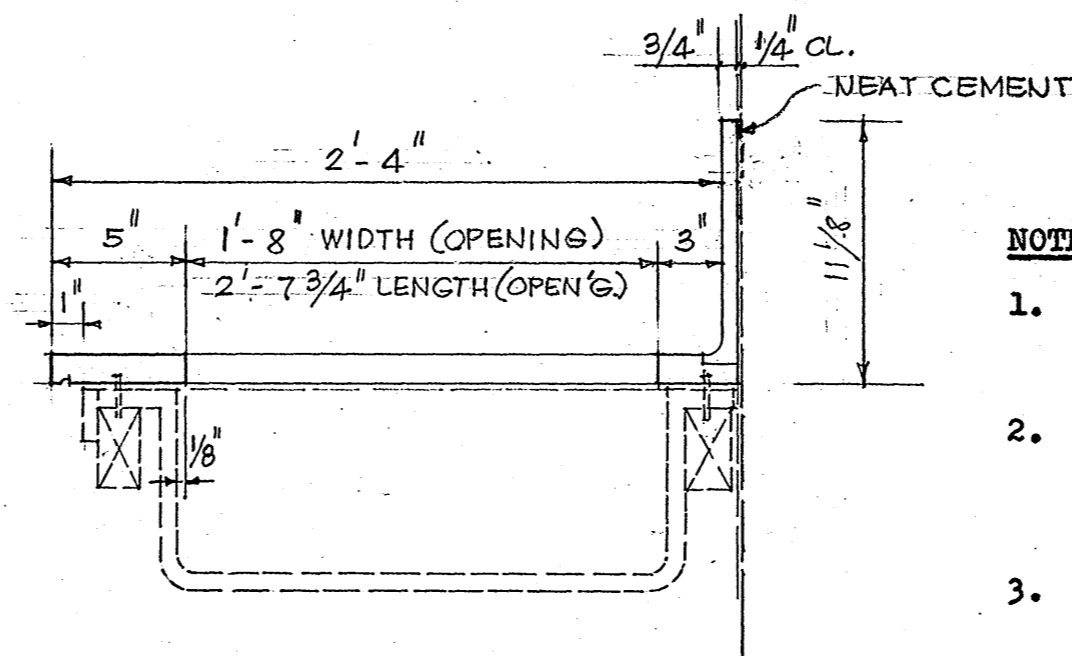
**SECT. "A"**  
SCALE 1/2" : 1'-0"



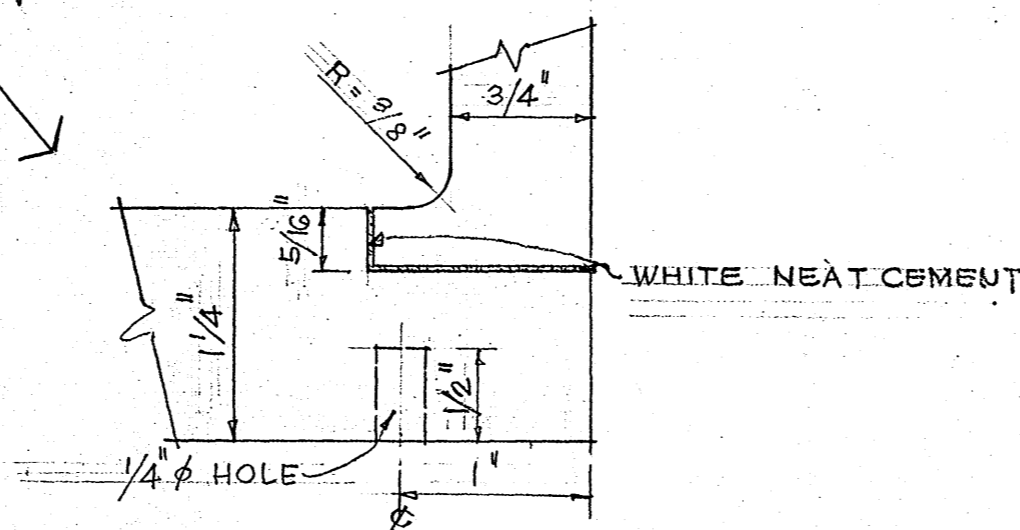
**SECT. "B"**  
SCALE 1/2" : 1'-0"



**SECT. "D"**  
SCALE 1/2" : 1'-0"



**SECT. "C"**  
SCALE 1/2" : 1'-0"



**NOTES:**

1. Albarene stone counter top is available as per "Thomas Register" from Albarene Stone Corp. of Virginia 417, 4th Ave., New York City.
2. All locations of outlet holes for existing gas, air, and water lines to be verified and very carefully drilled in the field using carbide masonry drill.
3. Existing Formica backsplash and all chromium or stainless steel trim to be removed. Existing Formica counter top to remain.
4. All holes for hardwood dowels to be drilled in the field. All hardwood dowels to be driven to fit.

DEPARTMENT OF THE NAVY		BUREAU OF YARDS & DOCKS	
PUBLIC WORKS CENTER		GUAM, M. I.	
DES		FENA WATER TREATMENT PLANT	
DRWN J.F.S.		INSTALL ALBARENE TABLE TOPS	
CHK Hobelman, R.		FOR WATER TREATMENT LAB.	
DIV DIR		STRUCTURAL	
DEPT HEAD Cooper			
WR NO	SCALE	DATE	PWC SKETCH NO
0117		10-8-57	SK-123-57