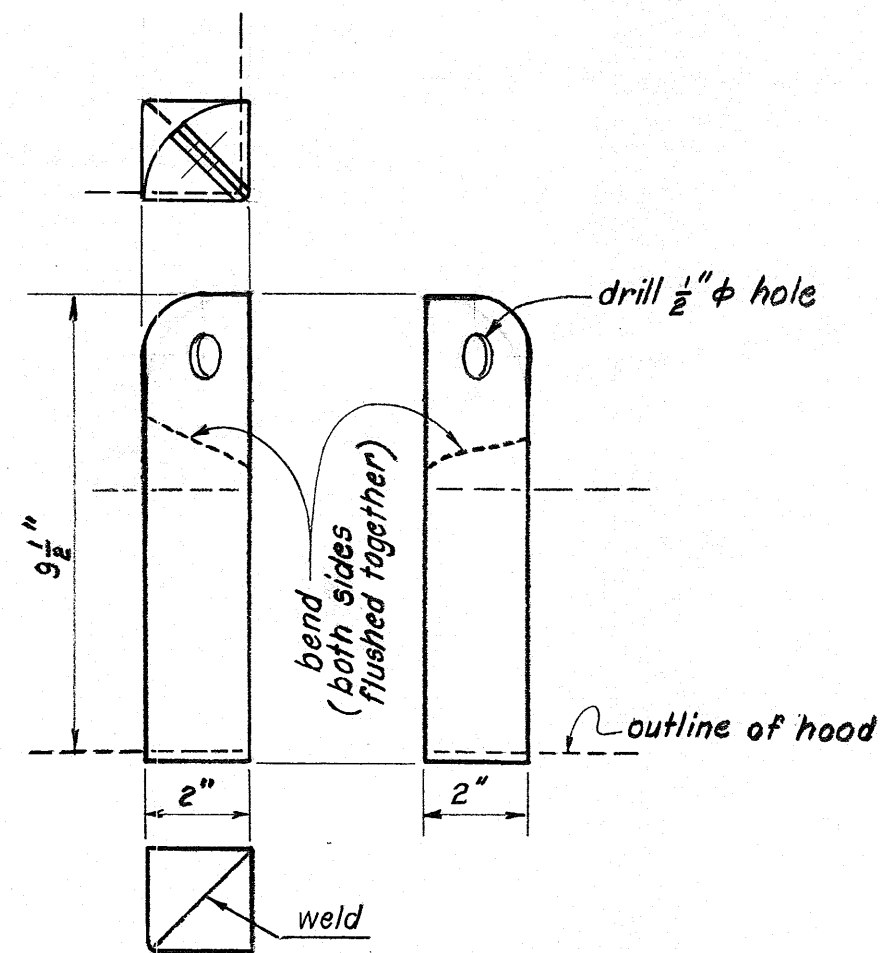


FRONT ELEVATION

Scale $\frac{1}{4}":1'-0"$

SIDE ELEVATION

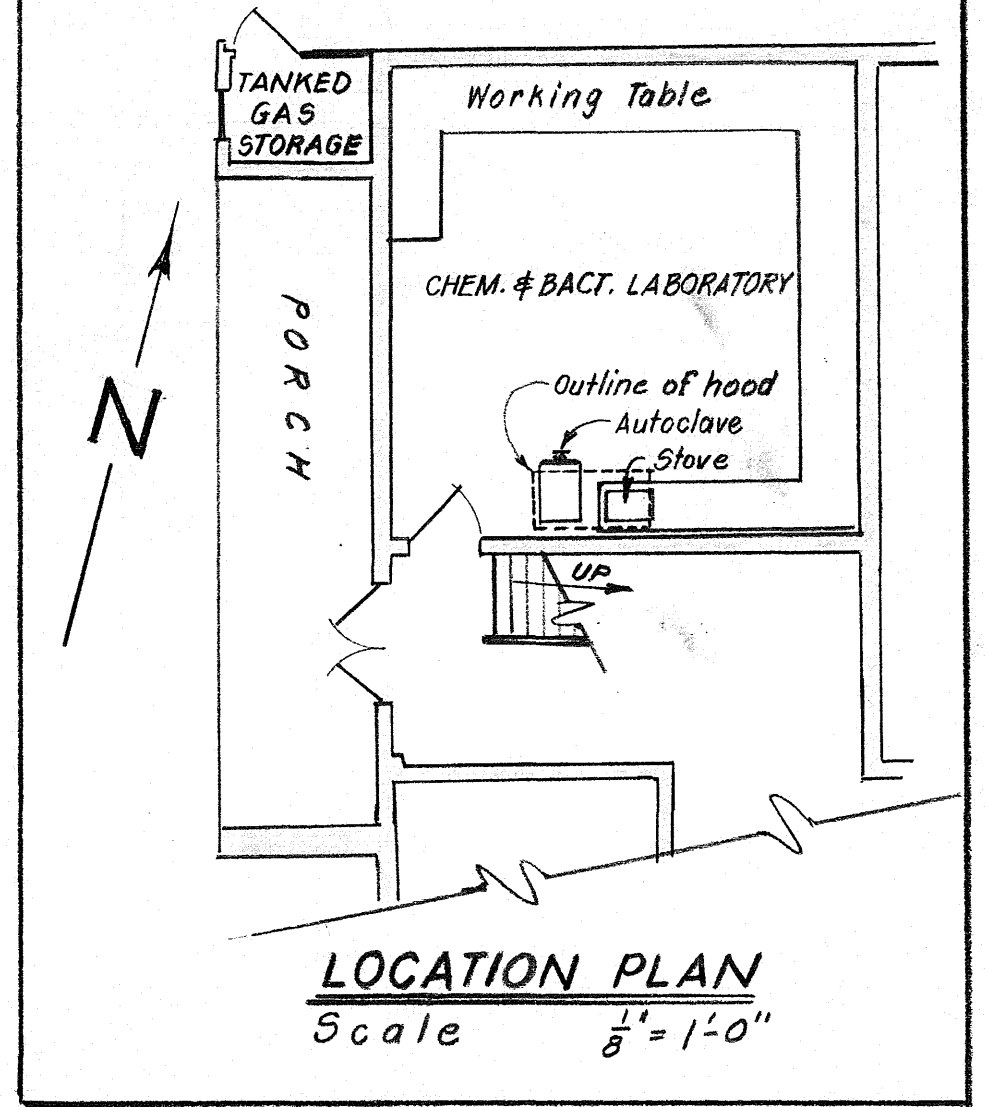
Scale $\frac{1}{4}":1'-0"$



DETAIL "A"

No Scale
(2-required)

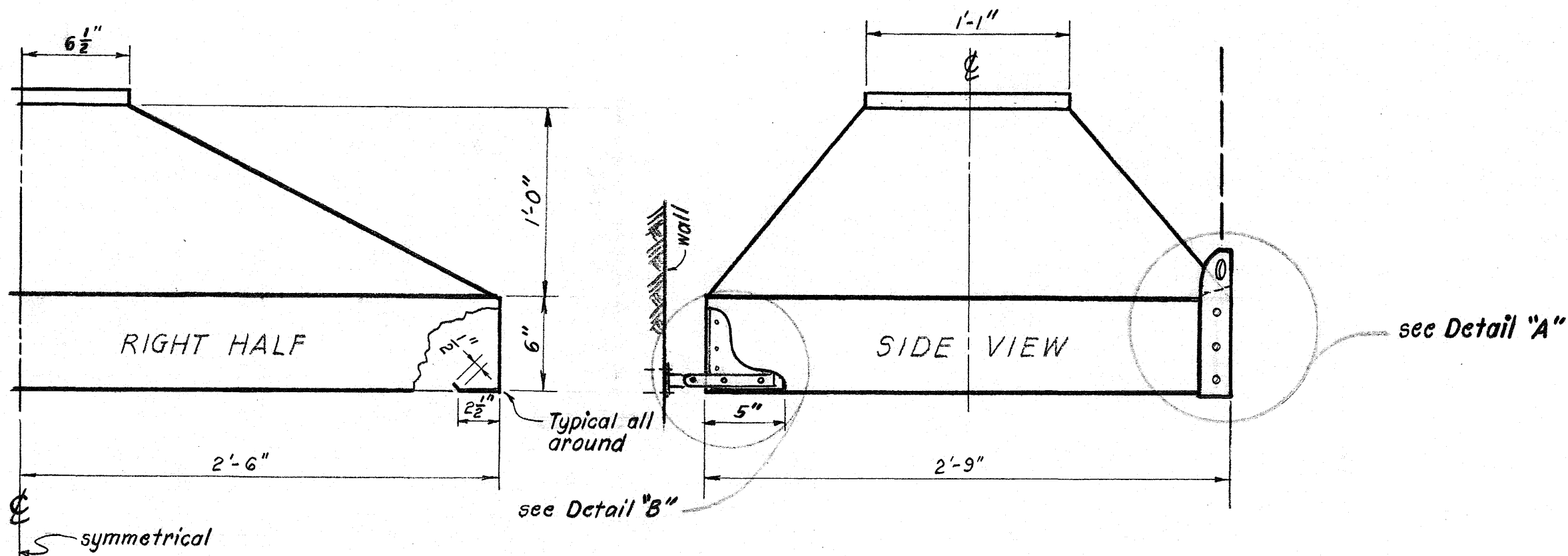
Material: #20 ga. Stainless Steel



LOCATION PLAN
Scale $\frac{1}{8}":1'-0"$

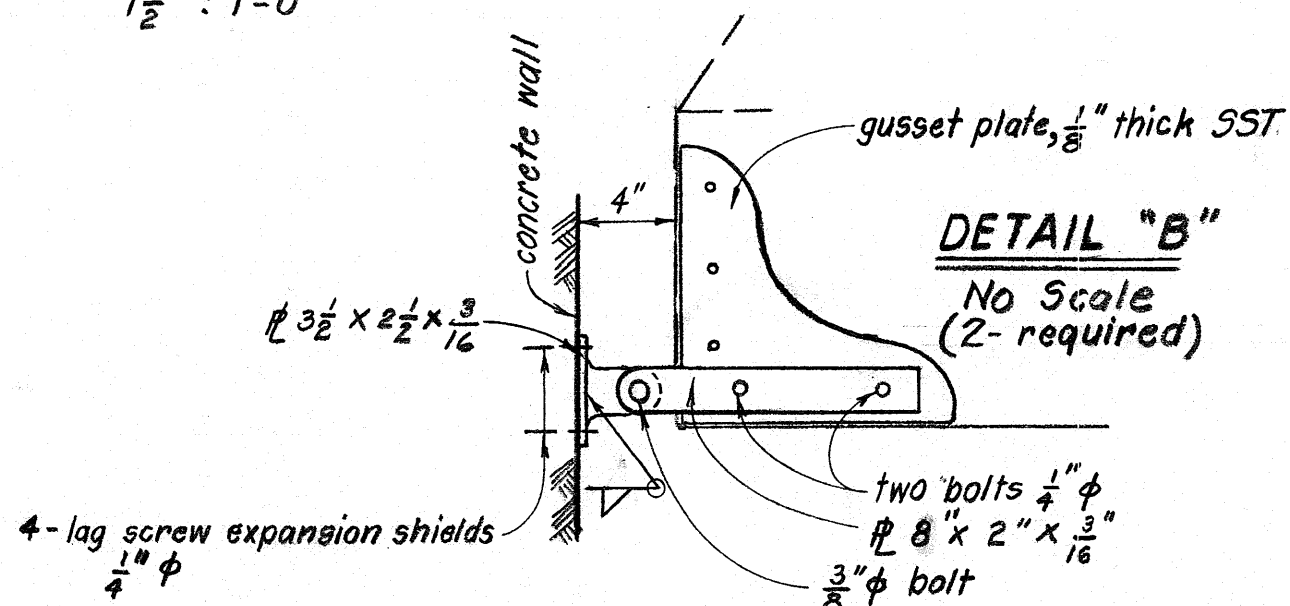
NOTES

1. Roof vent and exhaust fan are existing and in operation.
2. Sheet for hood and duct shall be made of #20 gage stainless steel.
3. Duct shall have 11 1/2" sq. cross-section.
4. Fasten stainless steel angle to ceiling with 3/8" anchor shields to accommodate duct. Notch angle to clear existing conduit.
5. Arc weld parts when necessary.



HOOD DETAILS

Scale $\frac{1}{2}":1'-0"$



DETAIL "B"

No Scale
(2-required)

THIS DRAWING TO SUPERSEDE PWC DRWG. NO. 9/N6/7303

SYMBOL	DESCRIPTION	DATE	APPROVAL
REVISIONS			
PWC DRAWING NO. 9/N6/7391	DEPT. OF THE NAVY BUREAU OF YARDS & DOCKS PUBLIC WORKS CENTER, GUAM, M.I.		
DES R.C. Arguelles	FENA TREATMENT PLANT INSTALL. OF HOOD & DUCT		
CHK DERMAN	CHEMICAL STORAGE BLDG. CHEM. & BACT. LABORATORY		
DEPT. HEAD Cooper	MECHANICAL		
WR. NO. 7222	APPROVED WEL	DATE 8/12/57	
SATISFACTORY TO ACTIVITY _____		SCALE _____	SPEC _____
SIGNATURE _____		SHEET _____	OF _____
DATE _____		Y&D DRWG NO _____	

9/N6/7391