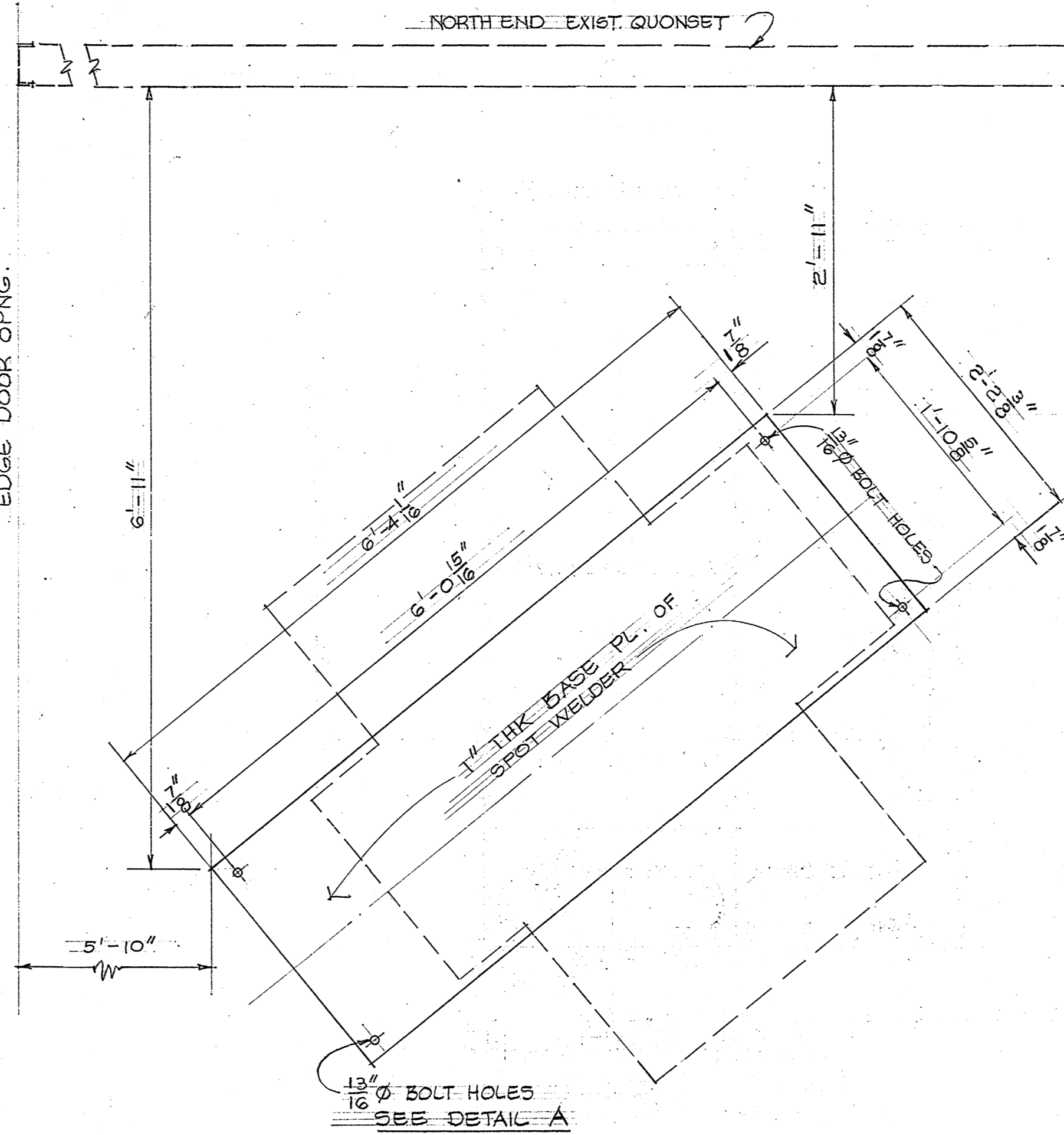
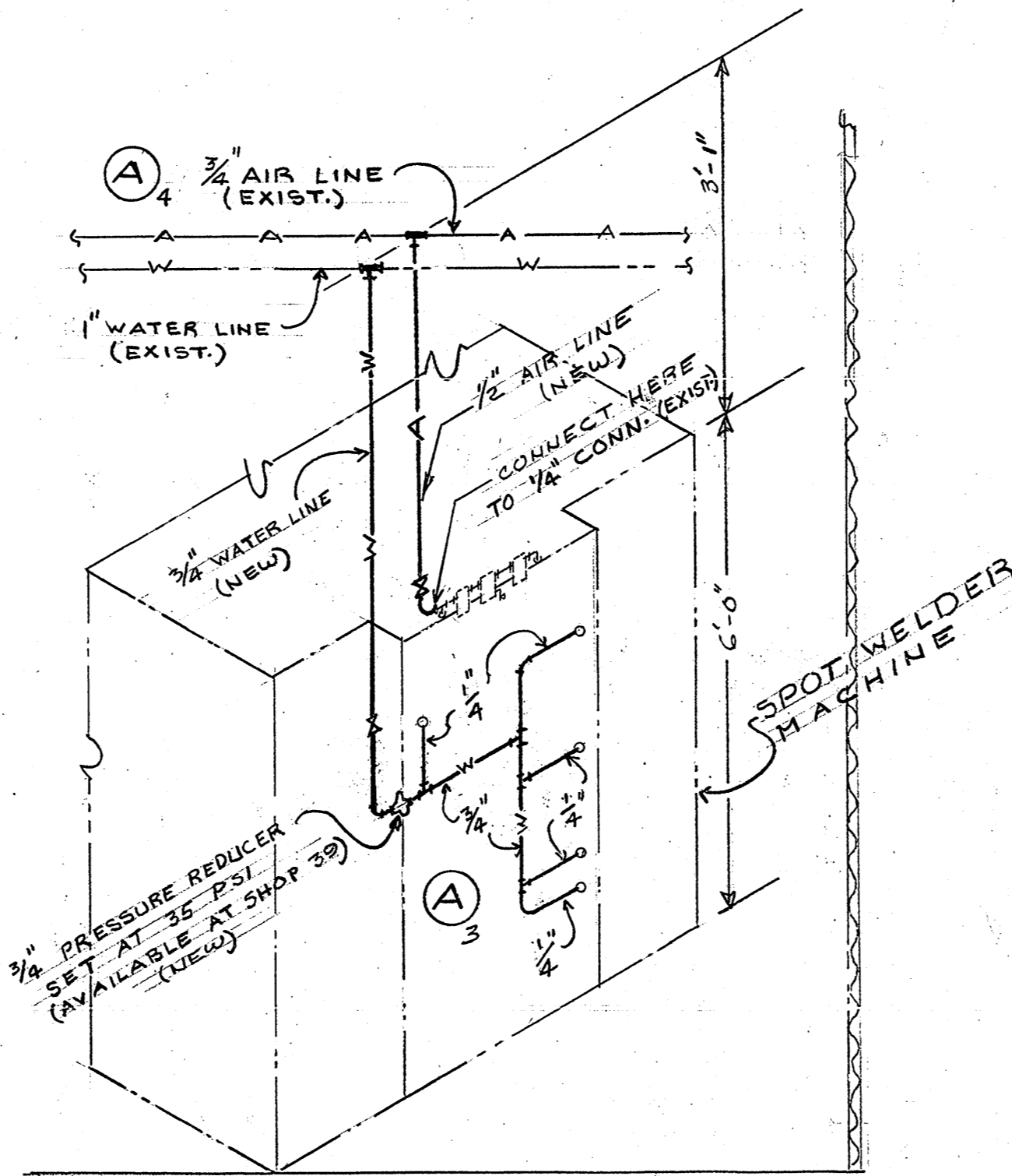


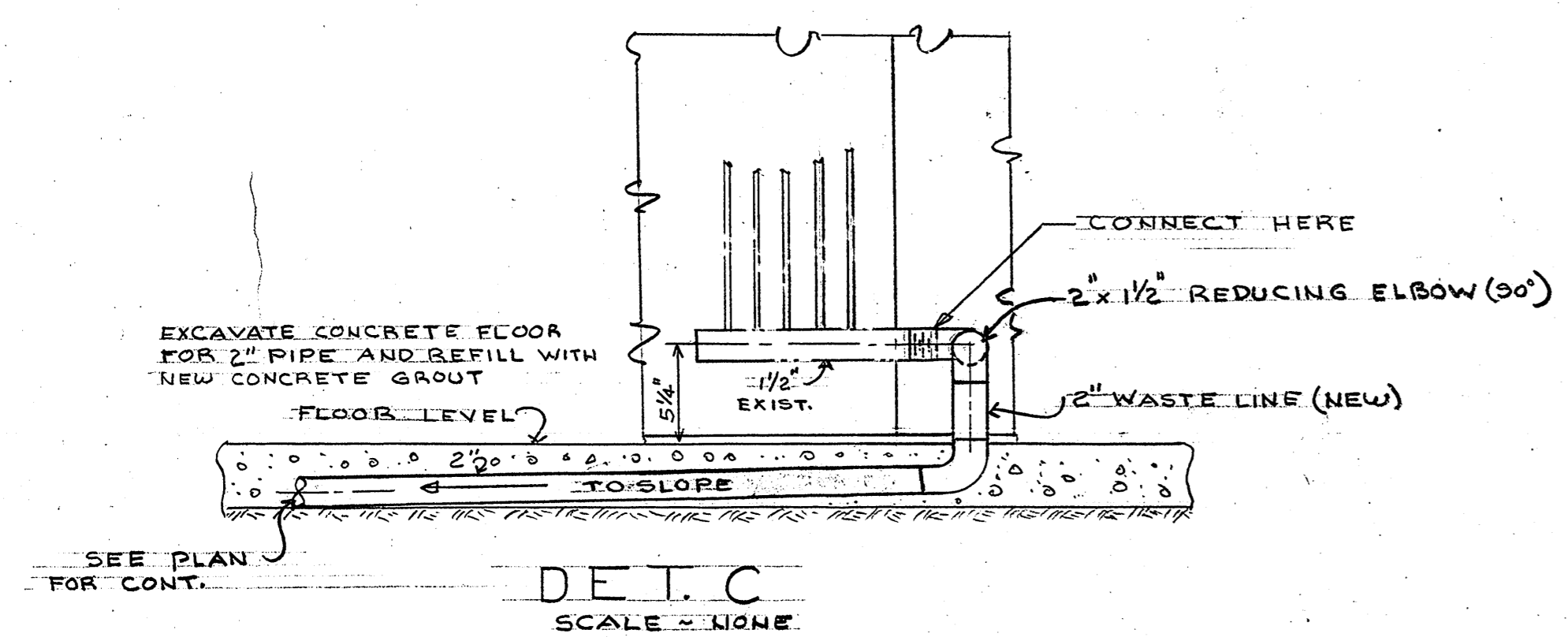
FLOOR PLAN  
SCALE: 1/8" = 1'-0"



FOUNDATION PLAN  
SCALE: 1" = 1'-0"

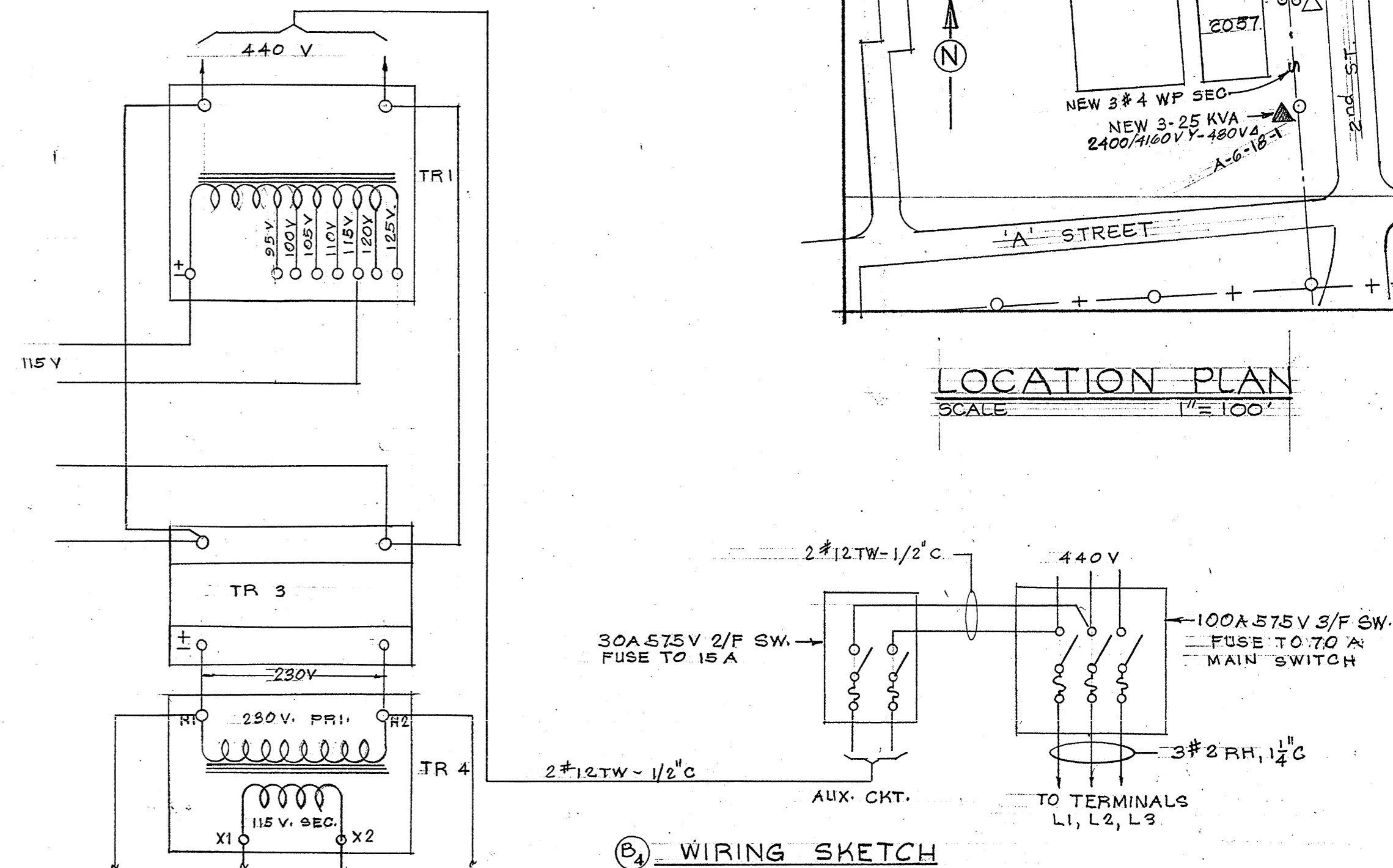


DET. B  
SCALE - NONE

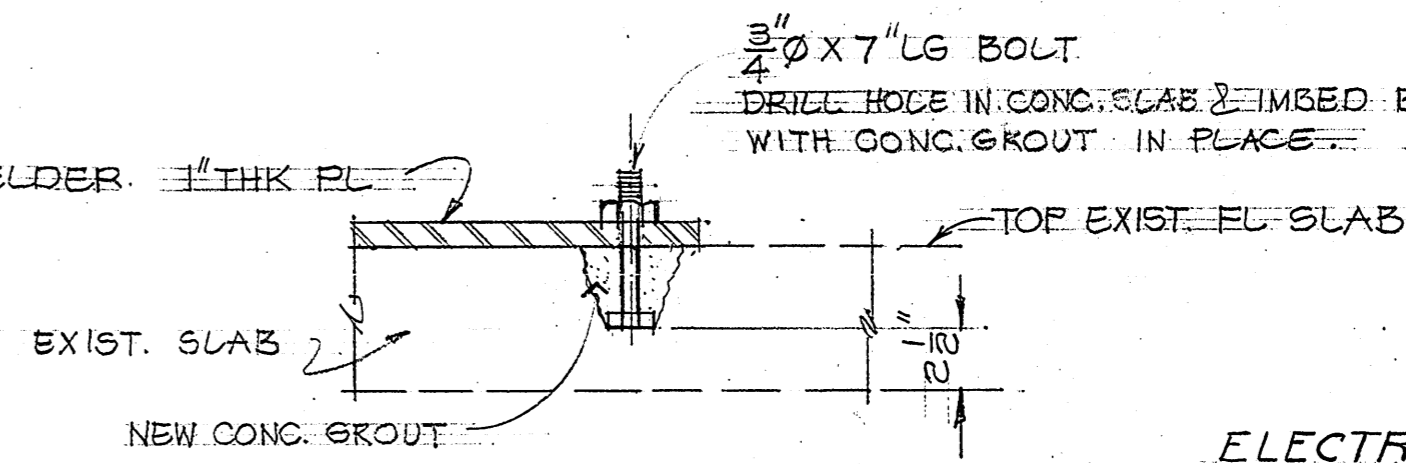


DET. C  
SCALE - NONE

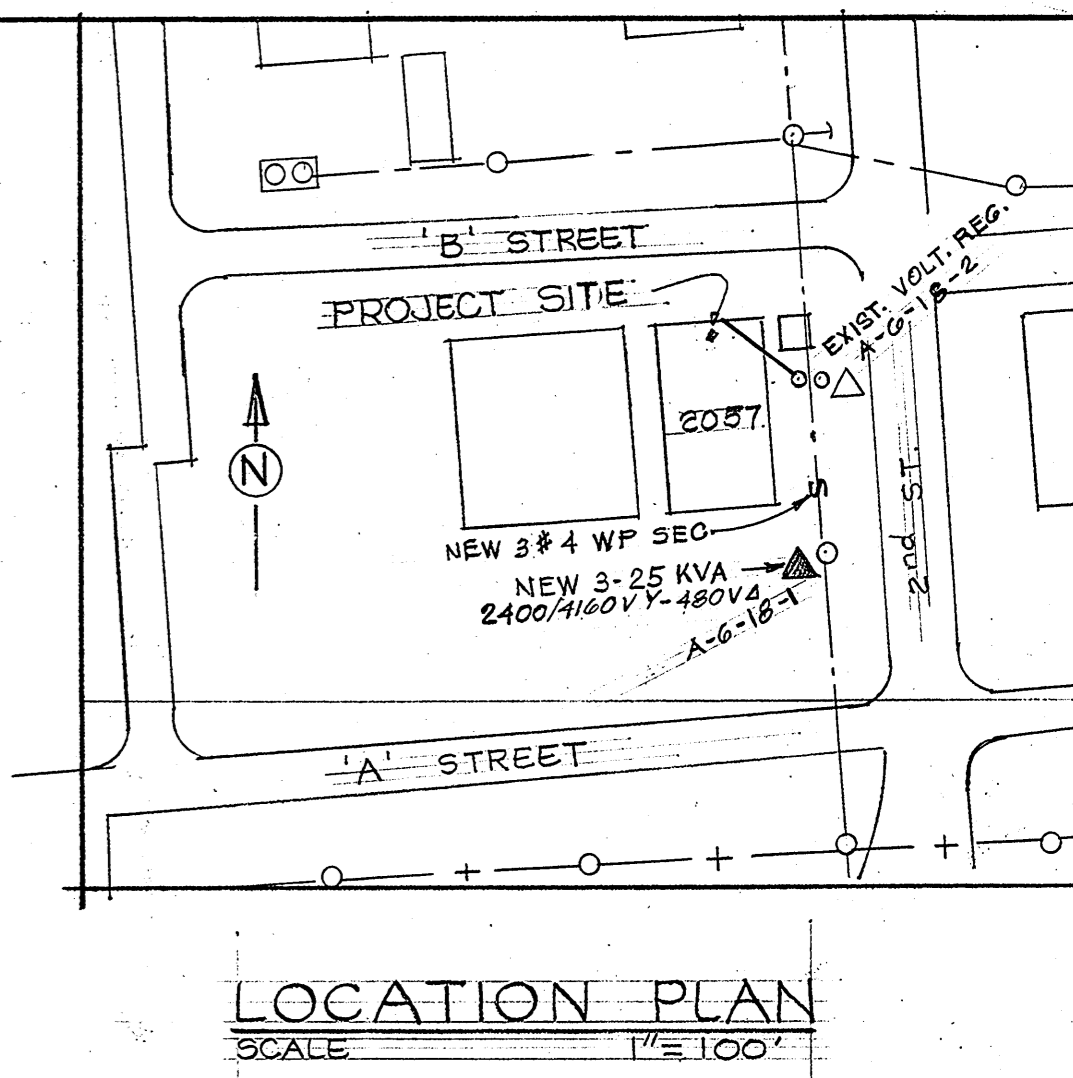
LEGEND  
 A NEW AIR LINE  
 W NEW WATER LINE  
 X GATE VALVE  
 --- NEW WASTE LINE



WIRING SKETCH



TYP. DET. A  
SCALE: 1/8" = 1'-0"



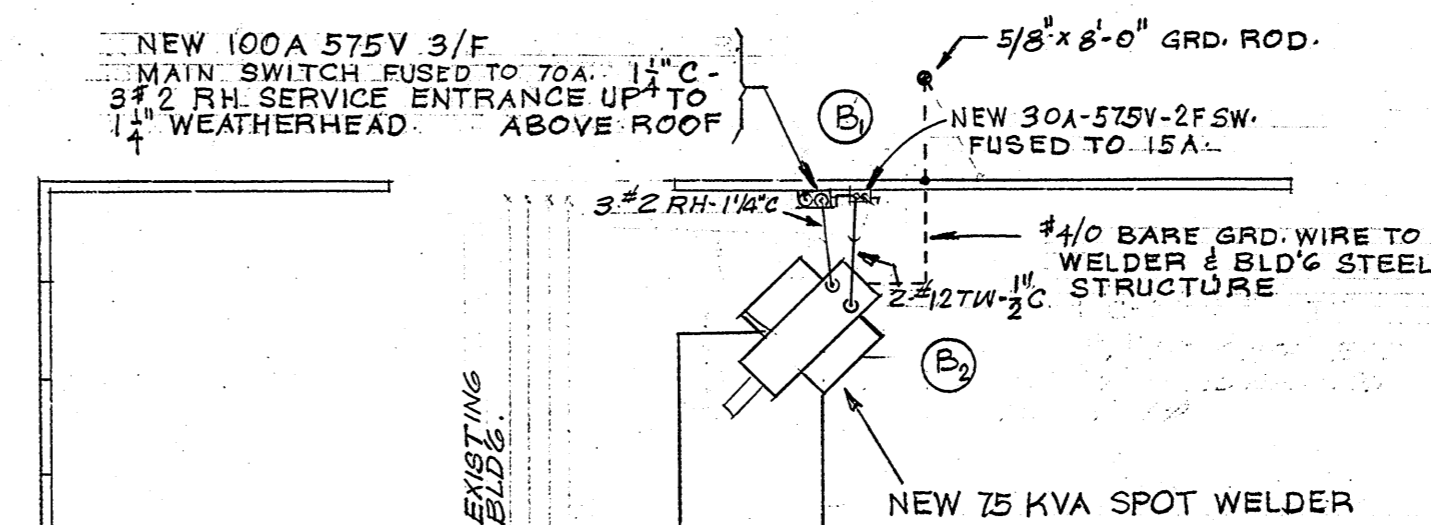
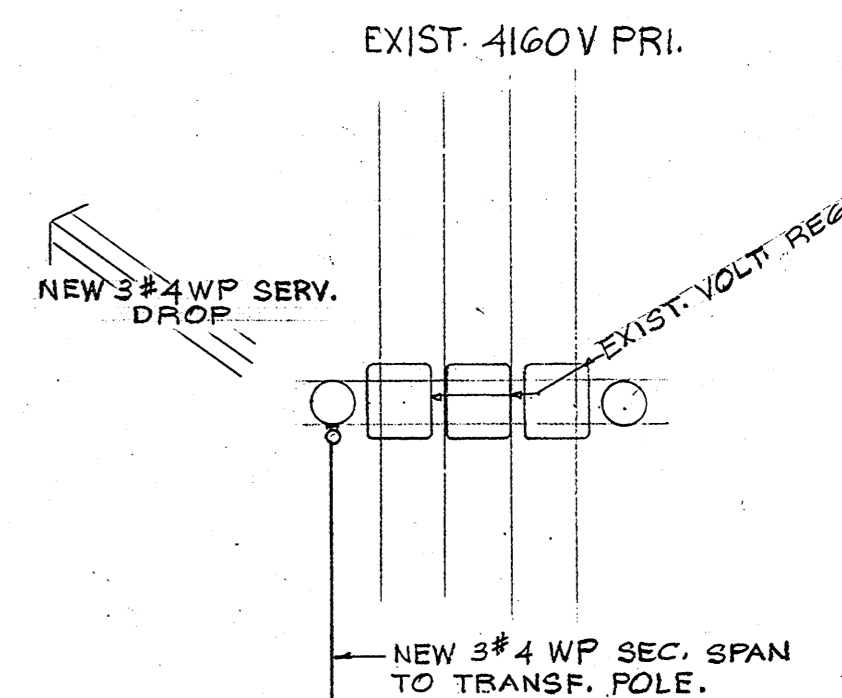
LOCATION PLAN  
SCALE: 1/4" = 100'

ELECTRICAL NOTES:

1. ALL ELECTRICAL WORK SHALL BE IN ACCORDANCE WITH THE NATIONAL ELECTRICAL CODE.
2. CONNECT MAIN FEED TO TERMINALS L1, L2, & L3. CHECK FOR PHASE ROTATION AND MAKE PHASE ROTATION L1, L2, L3.
3. CONNECT THE 440V AUX. CIRCUIT TO THE INPUT OF TRANSFORMER "TR1".
4. CHECK TRANSFORMERS "TR1", "TR3", AND "TR4" FOR PROPER CONNECTION AND VOLTAGE. SEE WIRING SKETCH THIS DRAWING.
5. FOR ADDITIONAL INFORMATION, SEE SCIACY DRAWING SERIES W-NO. E77513.

TR	VOLTAGE	TR. NUMBER	JUMPER	CONN.
TR-1	230	324980	1+3, 2+4	1-4
TR-1	440	324980	2+3	1-4
TR-3	230	FP 1342	1+3, 2+4	1-4
TR-3	440	FP 1342	2+3	1-4

TRANSFORMER PRIMARY CONNECTION



PART PLAN  
NORTH END OF BLDG.  
(ELECTRICAL)  
SCALE: 1/8" = 1'-0"

MECHANICAL NOTES:

1. The 2" waste line shall be std. cast iron soil pipe with bell and spigot fittings. If the cast iron is not available, a std. galv. pipe sched. 40 may be substituted provided it shall be coated with bituminous coating and wrapped.
  2. All new water lines shall be std. galv. pipe, sched. 40, screw jointed fittings.
  3. New air lines shall be black steel pipe, sched. 40 screw jointed fittings.
- STRUCTURAL NOTES:
1. Spot welder presently located in bldg. 2057 near final location shown.
  2. Verify exact final location of spot welder and bolt hole layout.
  3. Provide shims as necessary under base plate.

SYMBOL	DESCRIPTION	DATE	APPROVAL
(A)	CHANGED NOTES & WIRING. ADDED TRANSF. CONNECTION. DET. 9/14/60	9/14/60	[Signature]
(A)	REMOVED NOTE (1). REMOVED CONNECTION OF 2" WASTE LINE. (2) CHANGED PIPE SIZE FROM 3/4" TO 1/2" AND DELETED VALVES. (3) CHG SIZE OF 4/0 BARE WIRE TO 3/0.	9/14/60	[Signature]

PWC DRAWING NO.	DEPARTMENT OF THE NAVY	BUREAU OF YARDS & DOCS
11344	PUBLIC WORKS CENTER, GUAM, M.I.	
DES. [Signature]	SRE	GUAM, M.I.
DRWN. [Signature]	75 KVA SPOT WELDER BLDG 2057	
CHK. [Signature]	INSTALLATION	
DIV DIR. [Signature]	STRUCTURAL - ELECTRICAL - MECH.	
CORR ENGR. [Signature]		
DEPT HEAD [Signature]	APPROVED [Signature]	DATE 9/16/60
WR NO. A 3060	COMMANDING OFFICER	
SATISFACTORY TO ACTIVITY	SCALE	SPEC
SIGNATURE [Signature]	SHEET 1 OF 1	NBY
DATE 8-1-60	TITLE [Signature]	Y&D DRAWING NO.