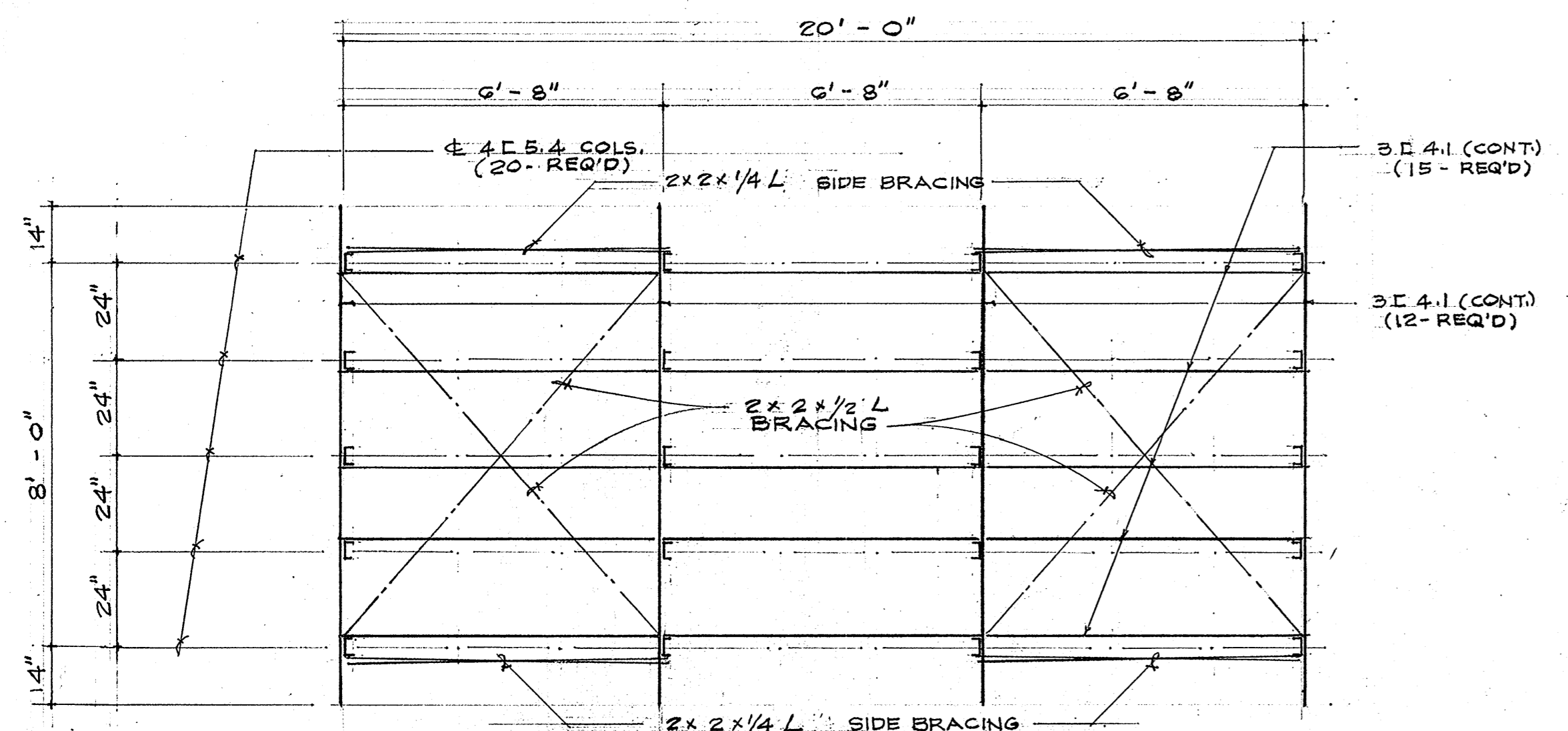
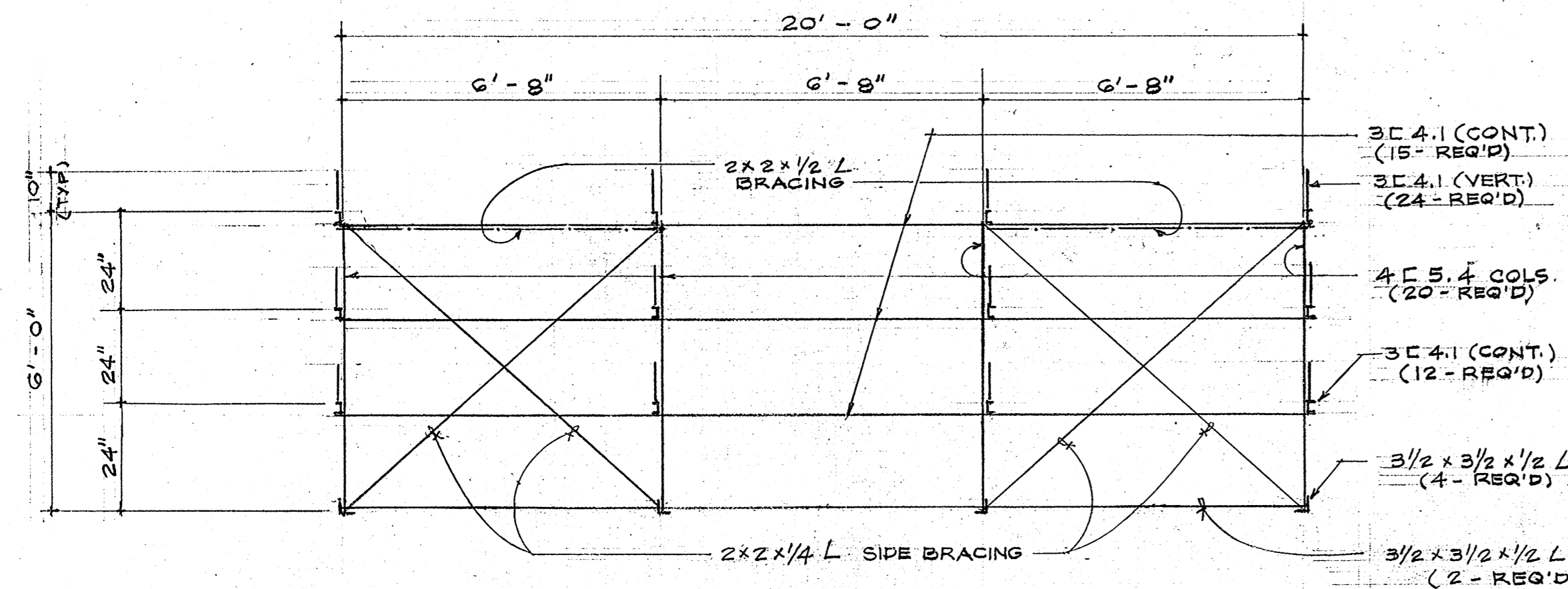


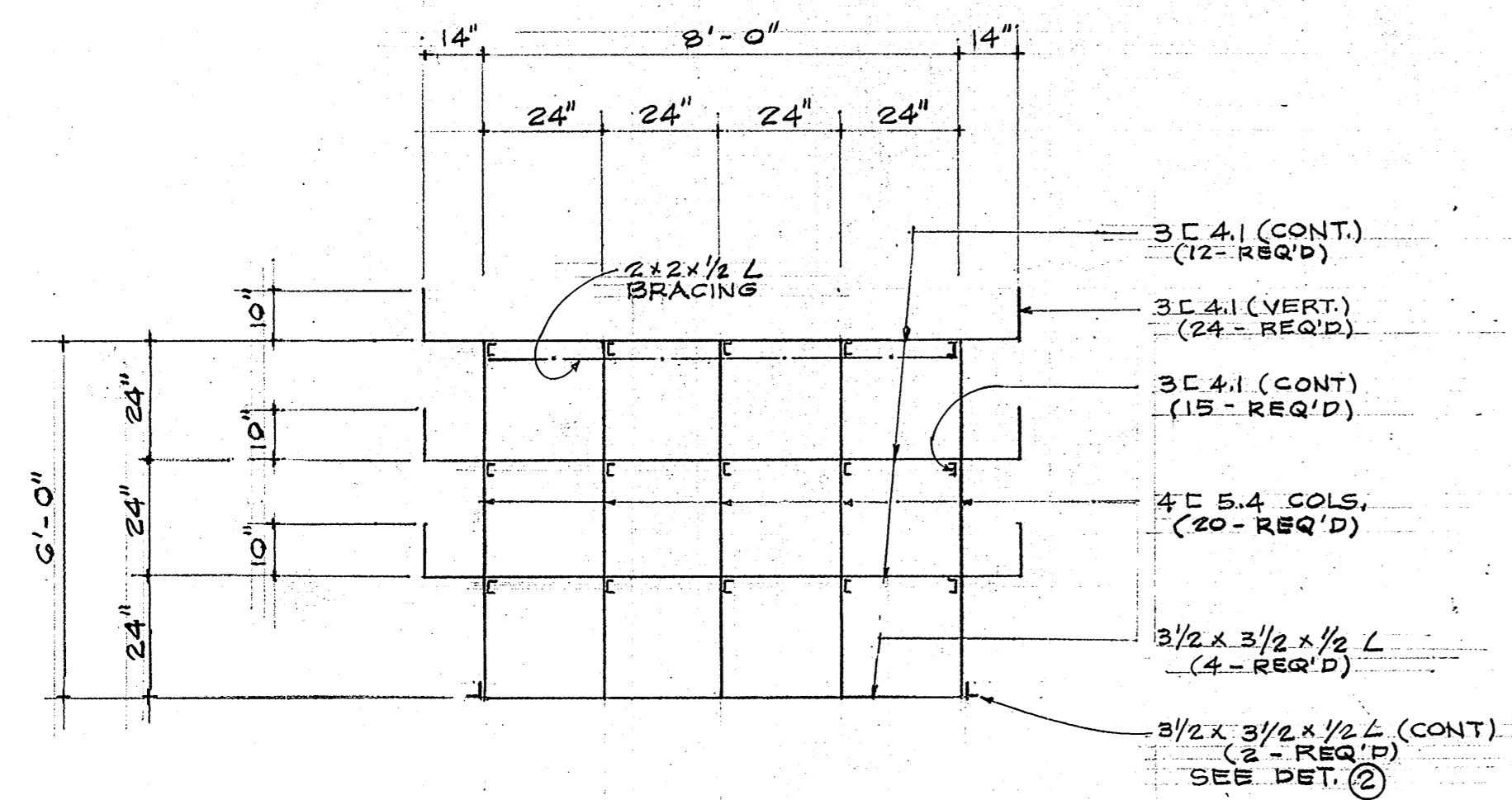
REVISIONS			
SYM	DESCRIPTION	DATE	APPROVED



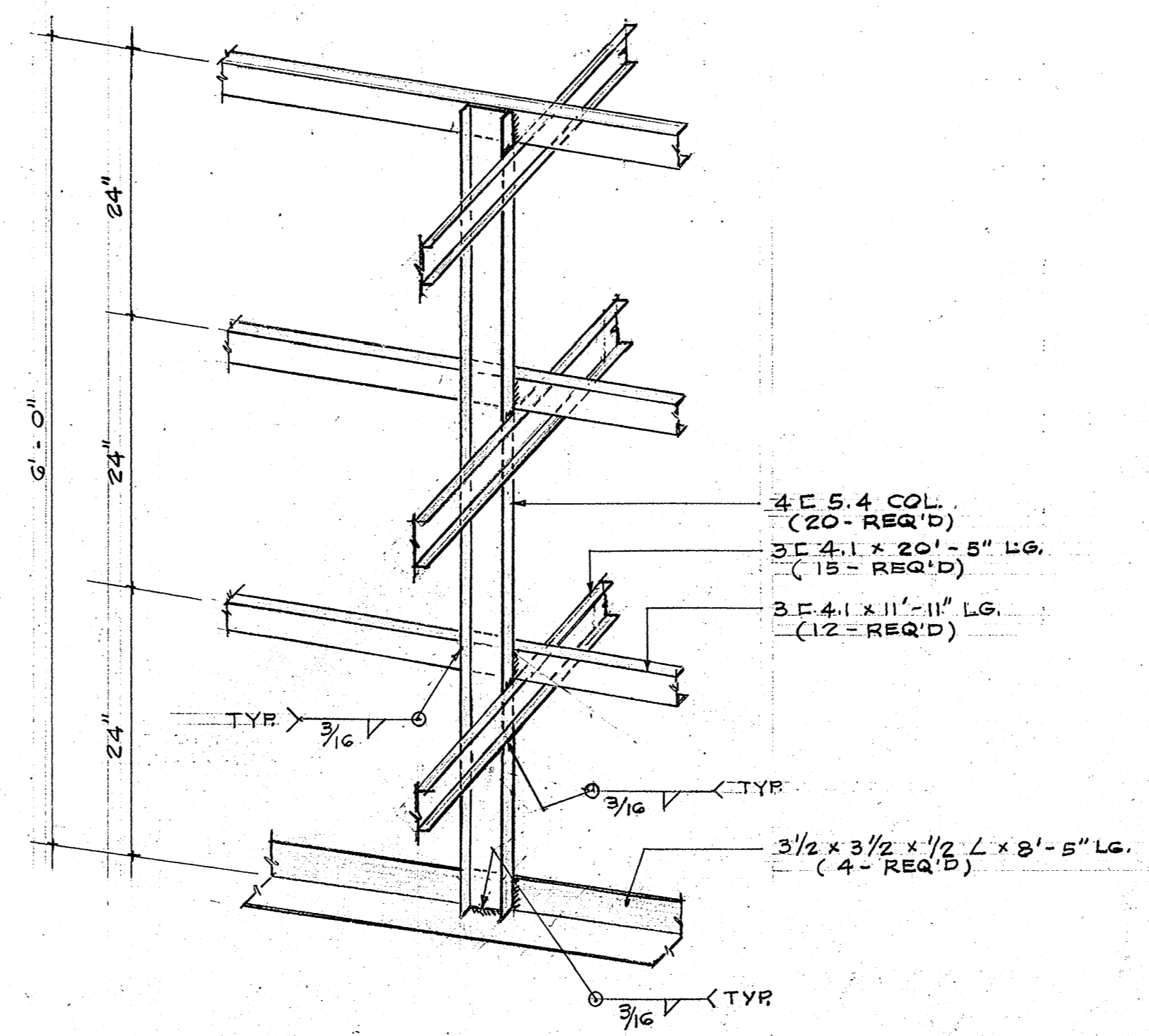
PLAN
SCALE: 3/8" = 1'-0"



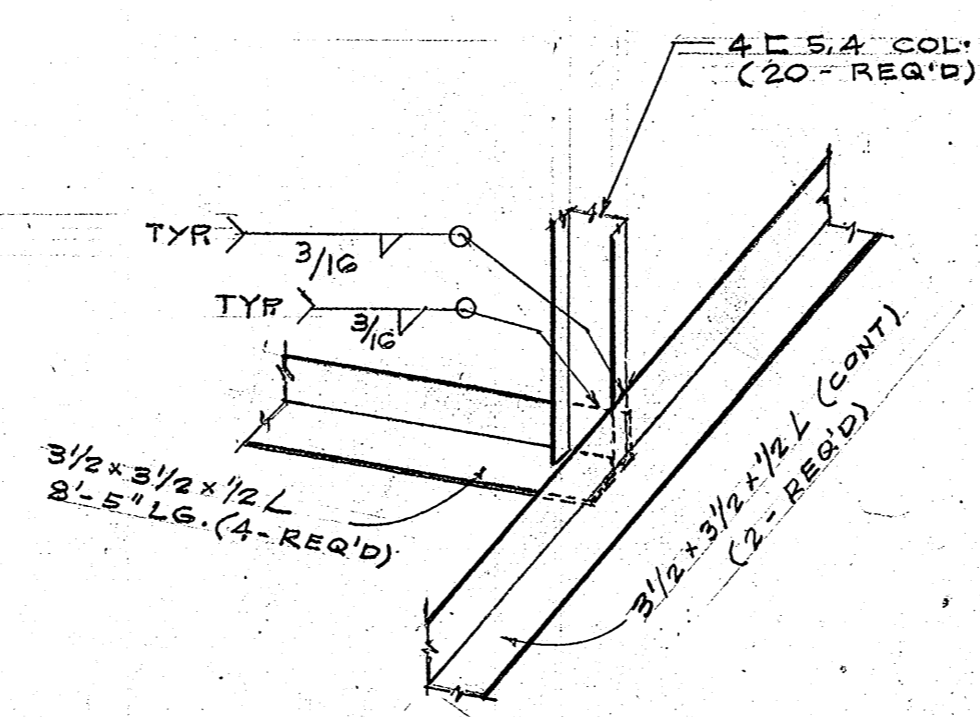
TYPICAL SIDE ELEVATION
SCALE: 3/8" = 1'-0"



TYPICAL END ELEVATION
SCALE: 3/8" = 1'-0"



(1) TYPICAL CONNECTION DETAIL
NOT TO SCALE



(2) DETAIL OF BASE BRACING CONNECTION
NOT TO SCALE

IMPORTANT NOTES

- 1. MAXIMUM ALLOWABLE LOAD APPROX. 88,000 POUNDS
- 2. THIS PIPE RACK WAS DESIGNED TO REST ON CONCRETE SLAB.

NOTES:

- 1. ALL STRUCTURAL STEEL SHALL BE WELDED TOGETHER WITH A MIN. OF 3/16" FILLET WELD.
- 2. ALL STRUCTURAL STEEL SHALL BE IN ACCORDANCE WITH MILITARY SPECS, MIL-S-20166, GRADE-M, TYPE A, SUITABLE FOR WELDING.
- 3. ALL METAL SURFACES SHALL BE PAINTED WITH 1-COAT OF PRIMER AND 2-COATS OF FINISH COATING, CONFORMING TO SPECS, NO. MIL-P-17545 B AND SPECS, NO. TT-E-489 d (1) RESPECTIVELY.

DES: Structural	DEPARTMENT OF THE NAVY - NAVAL FACILITIES ENGINEERING COMMAND		
DRAWN: J. Alejandro	PUBLIC WORKS CENTER		
CHK: P.A.S. 11/29/67	GUAM, M. I.		
DIV. DIR: P.A. SISON	PWC	GUAM, M. I.	
DEPT HEAD: J. Balbino 12/4/67	PIPE RACK		
ACE: J. Balbino 12/20/67			
WR NO: 61210	CODE IDENT NO: 80091	SIZE: D	PWC DRAWING NO: 14295
APPROVED: [Signature] 12/29/67	COMMANDING OFFICER	SCALE: 3/8"	SPEC: NBY SHEET 1 OF 1