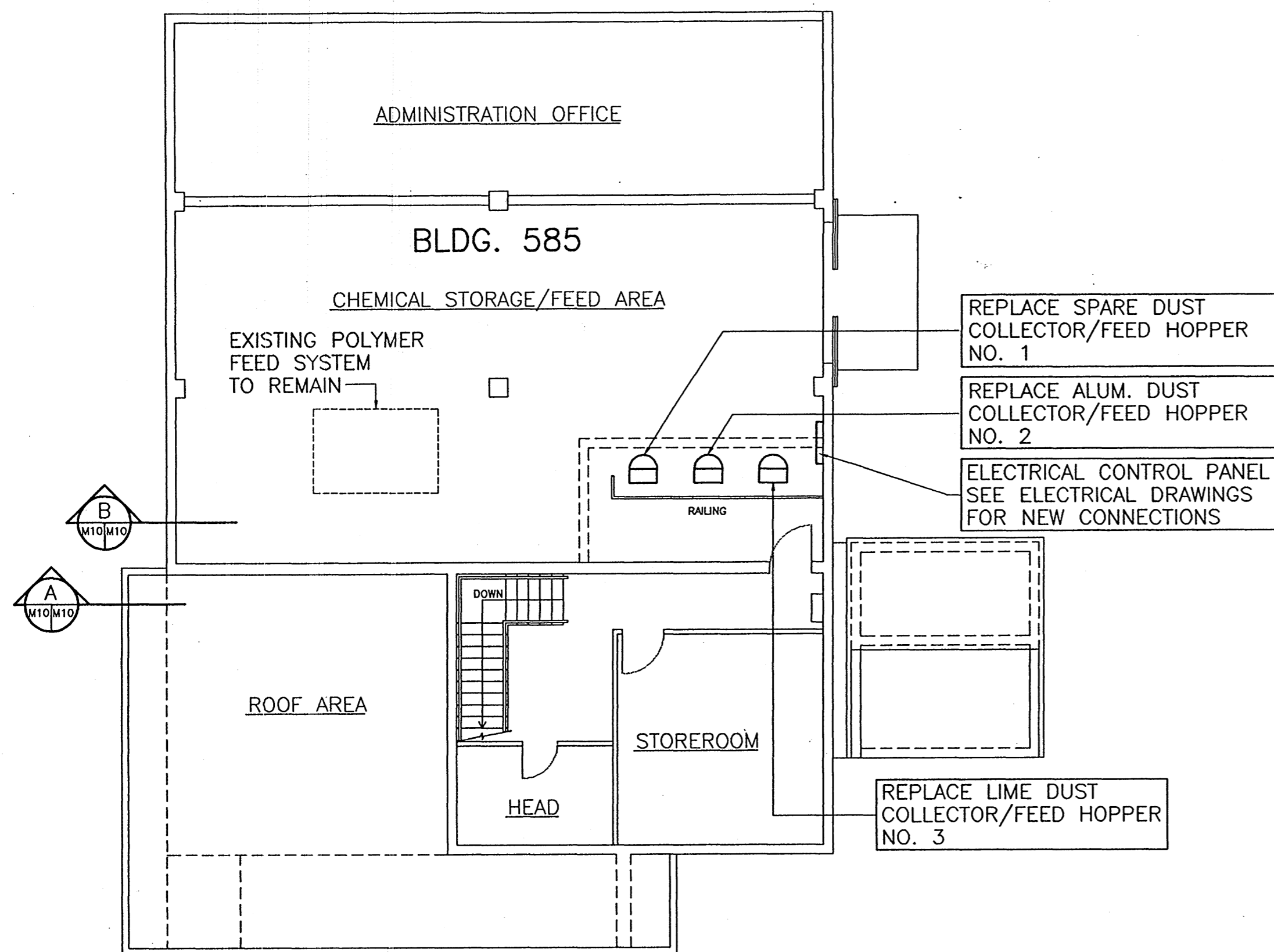
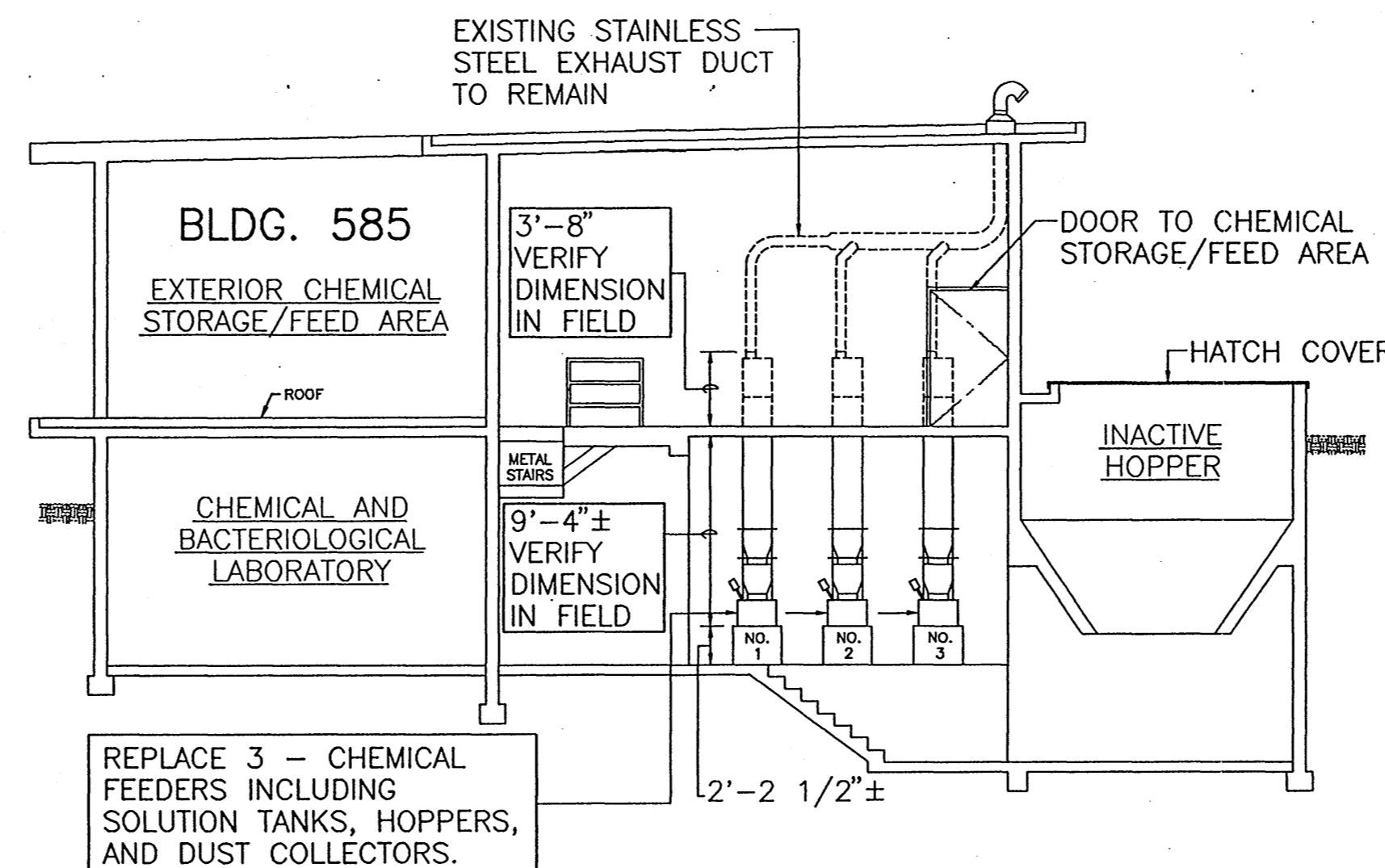


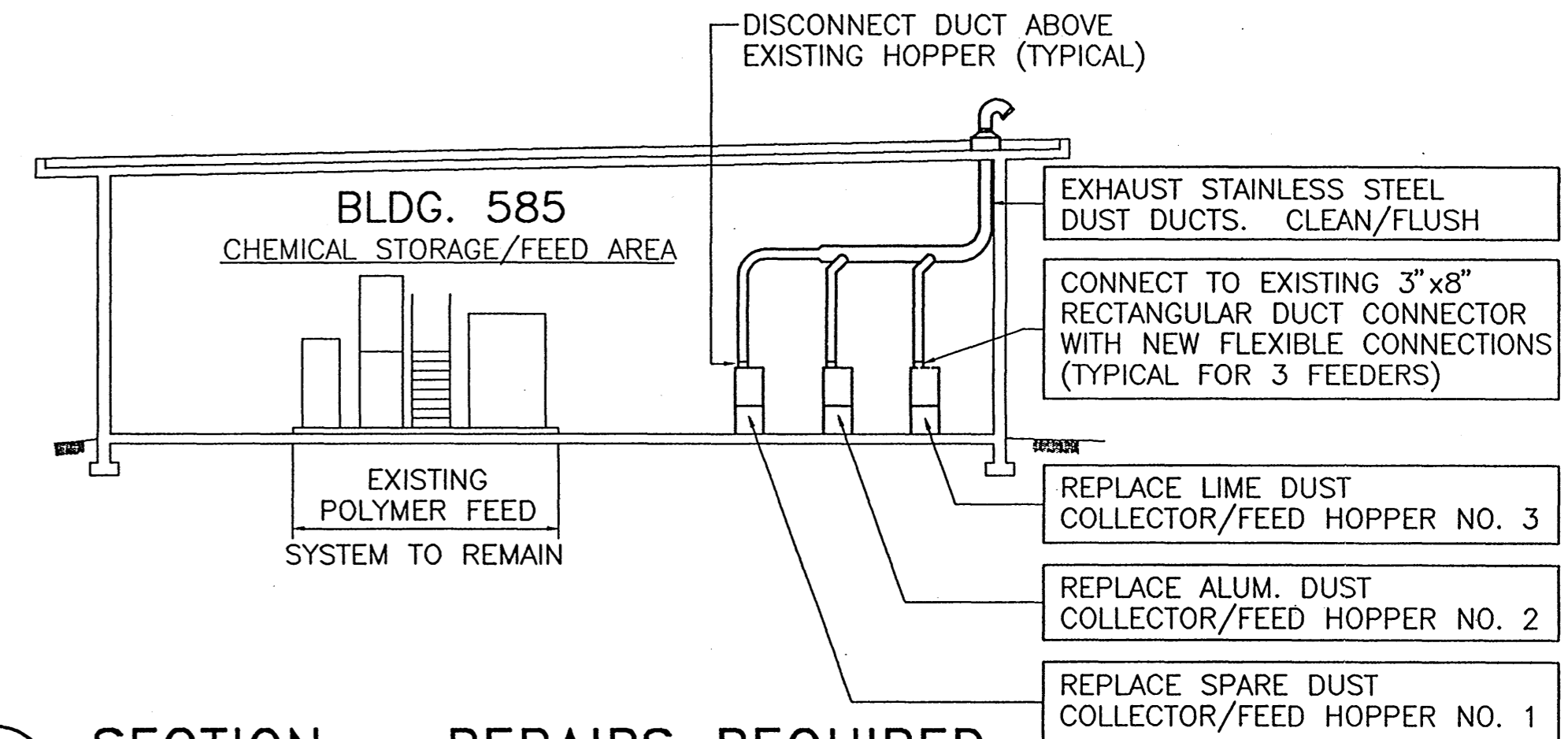
REVISIONS				
LTR	DESCRIPTION	PREPARED BY	DATE	APPROVED



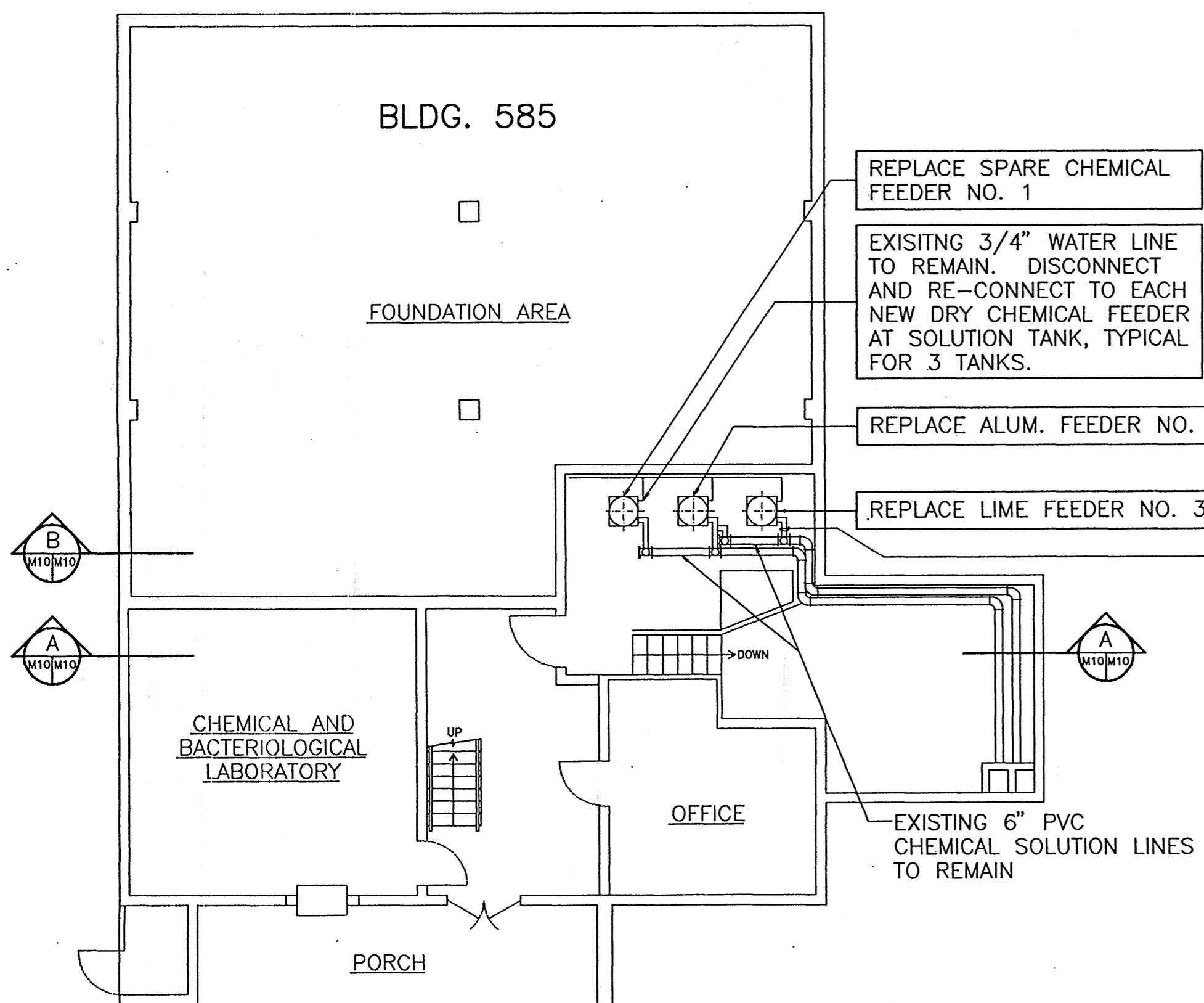
1 EXISTING STORAGE/FEED AREA PLAN - REPAIRS REQUIRED
SCALE: 1/8" = 1'-0"



A SECTION - REPAIRS REQUIRED
SCALE: 1/8" = 1'-0"



B SECTION - REPAIRS REQUIRED
SCALE: 1/8" = 1'-0"



2 EXISTING BASEMENT AREA - REPAIRS REQUIRED
SCALE: 1/8" = 1'-0"

NOTE:

- SEE ELECTRICAL DRAWINGS E-21 THRU E-24 FOR ELECTRICAL AND ASSOCIATED REPAIR WORK.

DRY CHEMICAL FEED EQUIPMENT DATA				
	CAPACITY (MAX.)	MECH. MIXER	FEED VIBRATOR	DUST COLLECTOR
FEEDERS NO. 1, 2 & 3	2.4 CU.FT./HR. HIGH SPEED GEAR BOX, 1 1/2" SCREW SIZE	1/4 HP T.E. DUST-IGNITION PROOF 1/60/208V	1/4 HP T.E. DUST-IGNITION PROOF 1/60/208V	MODEL 64 3/4 HP T.E. DUST-IGNITION PROOF 3/60/208V

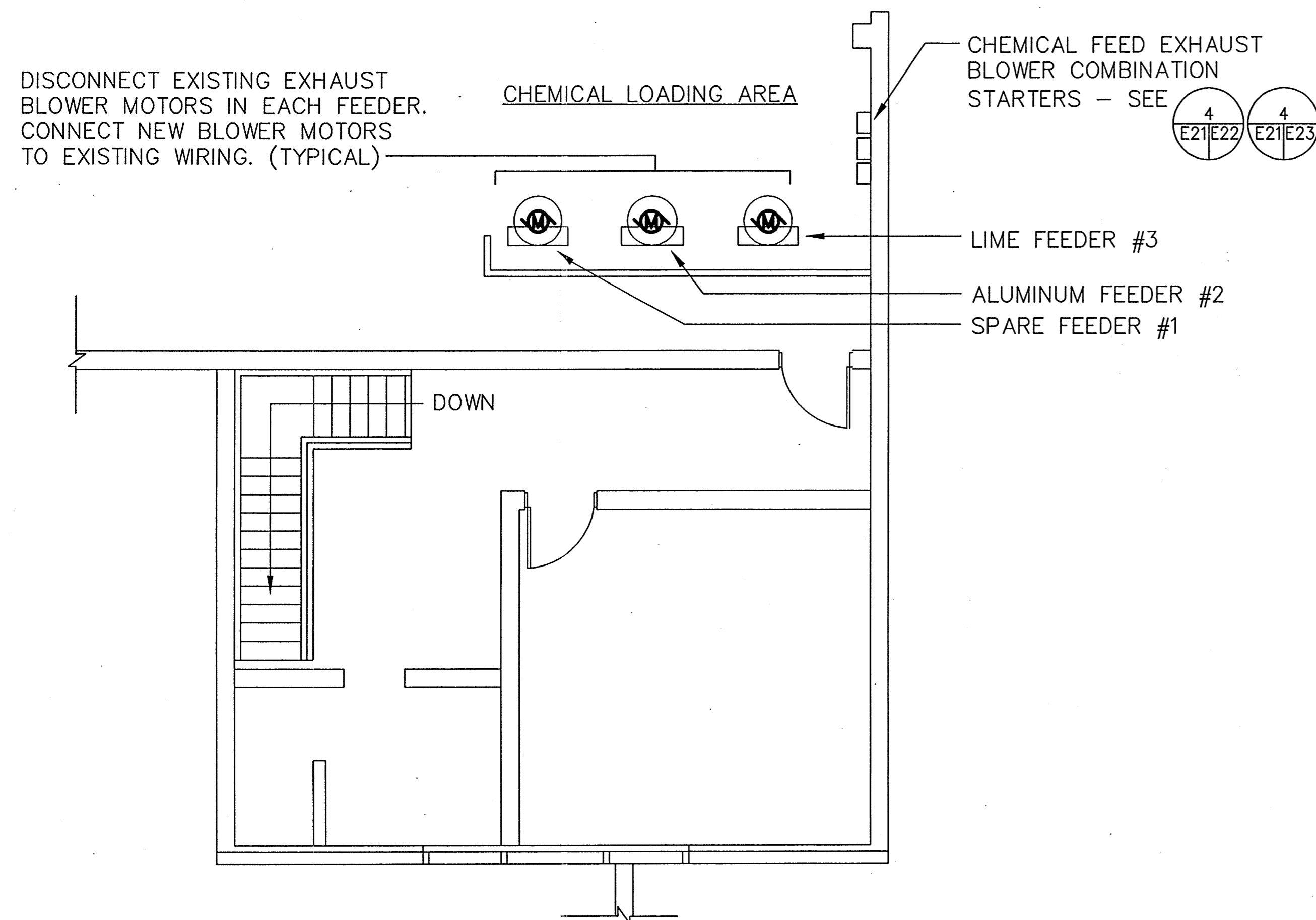
The Contractor will be responsible for coordinating the work among the various trades as necessary to avoid conflicts and to insure the installation of all work within the available space.

IF SHEET IS LESS THAN (22" x 34") IT IS A REDUCED PRINT - SCALE REDUCED ACCORDINGLY

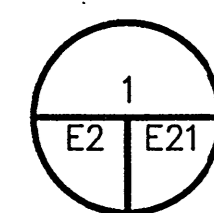
	FUKUNAGA & ASSOCIATES, INC. Consulting Engineers 1368 KAPOLANI BOULEVARD, 2ND FLOOR HONOLULU, HAWAII 96814 TELEPHONE: (808) 944-1521 FAX: (808) 944-9339	DEPARTMENT OF THE NAVY NAVAL FACILITIES ENGINEERING COMMAND OFFICER IN CHARGE OF CONSTRUCTION NAVAL FACILITIES ENGINEERING COMMAND CONTRACTS, MARIANAS GUAM, M.I.
	DES SY DR EH CRK RF SUPV M/F CH ENO SUBMITTED BY: <i>Stanley S. Y. Young</i> FROM MEMBER (TITLE): <i>Vic Resnikoff</i> CHECKED BY: <i>Stanley S. Y. Young</i> DATE: <i>1/1/89</i>	CONTROL/TELEMETRY REPAIRS U.S. NAVY PUBLIC WORKS CENTER GUAM, M.I.
APPROVED: <i>Stanley S. Y. Young</i> DATE: _____ SATISFACTORY TO: _____	APPROVED: _____ DATE: _____	SIZE: CODE EXH. NO. D 80091 CONSTR. CONTR. NO. N62766-93-C-0289 NAVFAC DRAWING NO. 7911182
TITLE: _____	FOR COMMANDER NAVFAC	SCALE: AS SHOWN SPEC: 41-93-0289 SHEET 14 OF 87

M-10

REVISIONS				
LTR	DESCRIPTION	PREPARED BY	DATE	APPROVED

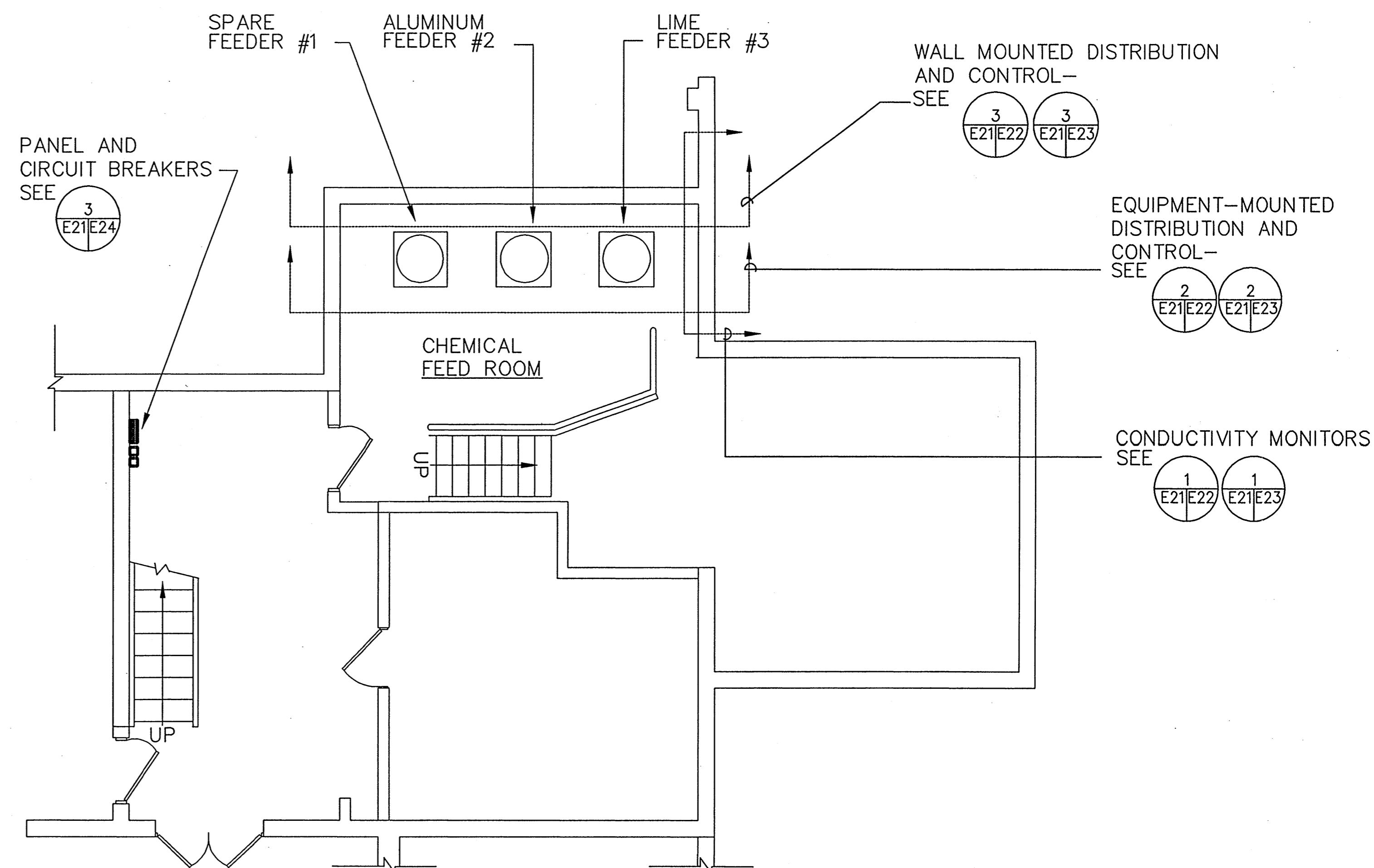
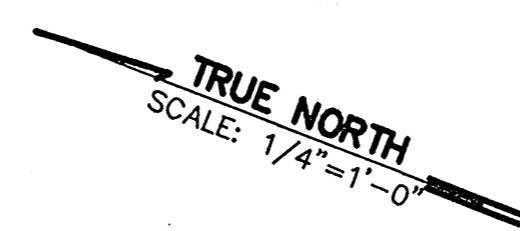


UPPER LEVEL ELECTRICAL PLAN -
CHEMICAL BUILDING 585

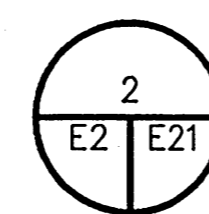


SCALE: 1/4" = 1'-0"

FENA WTP



LOWER LEVEL ELECTRICAL PLAN -
CHEMICAL BUILDING 585

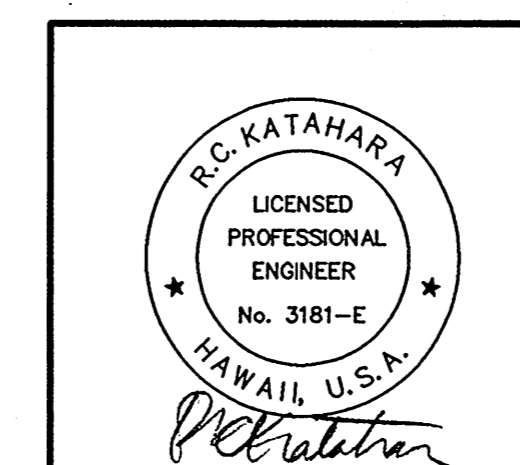
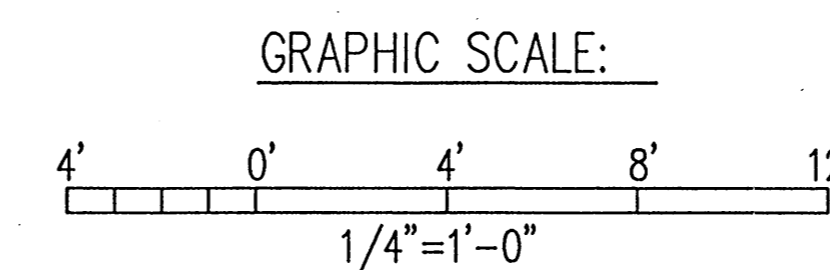


SCALE: 1/4" = 1'-0"

FENA WTP

The Contractor will be responsible for coordinating the work among the various trades as necessary to avoid conflicts and to insure the installation of all work within the available space.

IF SHEET IS LESS THAN
(22" x 34")
IT IS A REDUCED PRINT -
SCALE REDUCED ACCORDINGLY



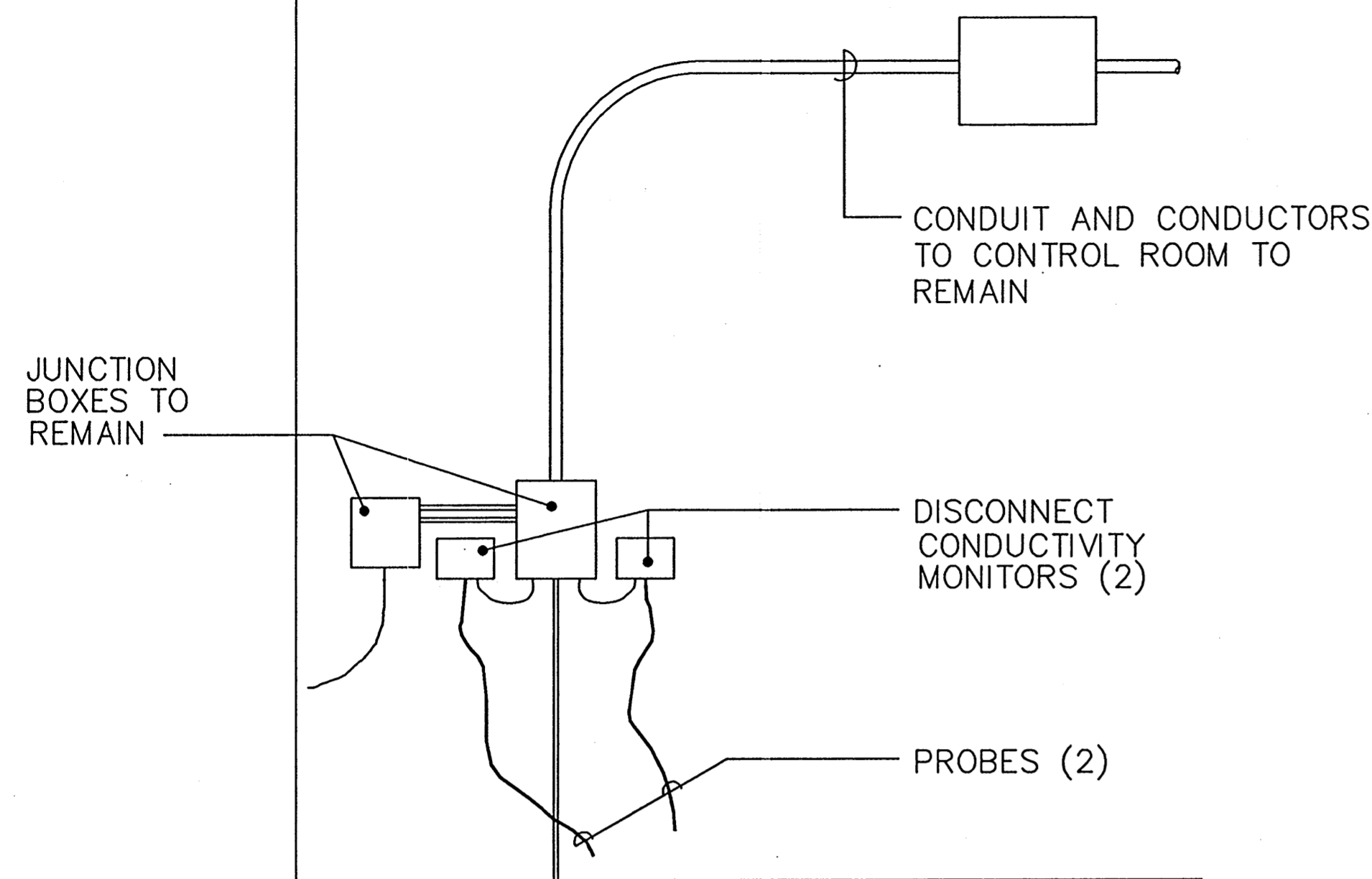
DES	WTH	OR	CHD
SUPV	ROE	CH	DRG
SUBMITTED BY: <i>Andrew A. Young, Vice President</i>			
FROM MEMBER (TITLE): <i>Vice President</i>			
PASSED BY:	BY:	OR	MEM
DATE:	DATE:	DATE:	DATE:
APPROVED	DATE		

DEPARTMENT OF THE NAVY		NAVAL FACILITIES ENGINEERING COMMAND	
OFFICER IN CHARGE OF CONSTRUCTION			
NAVAL FACILITIES ENGINEERING COMMAND CONTRACTS, MARIANAS GUAM, M.I.			
CONTROLS/TELEMETRY REPAIRS U.S. NAVY PUBLIC WORKS CENTER GUAM, M.I.			
FENA WATER TREATMENT PLANT BLDG 585-CHEMICAL FEED BLDG			
SIZE	CODE IDENT. NO.	NAVFAC DRAWING NO.	
D	8009.1	7911213	
CONSTR. CONTR. NO.		N62766-93-C-0289	
SCALE: 1/4"=1'-0"	SPEC.	SHEET 45 OF 87	

E-21

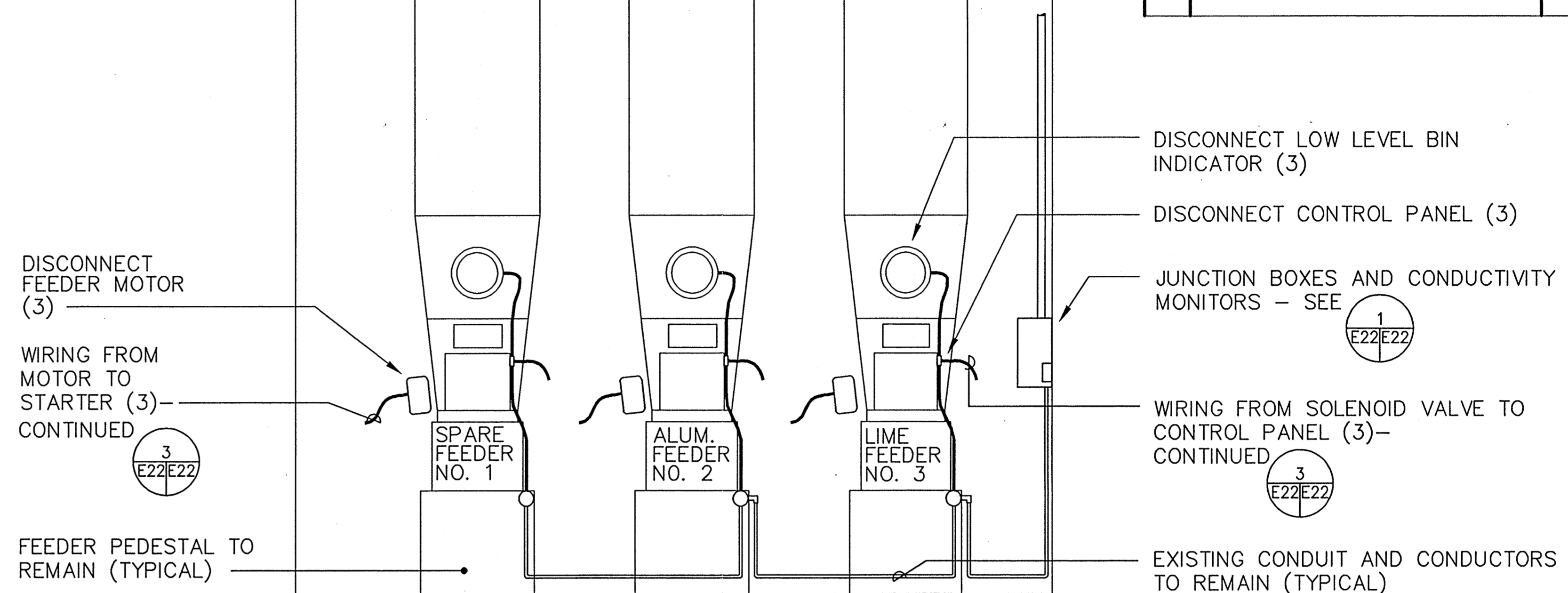
SATISFACTORY TO DATE FOR COMMANDER NAVFAC

REVISIONS				
LTR	DESCRIPTION	PREPARED BY	DATE	APPROVED



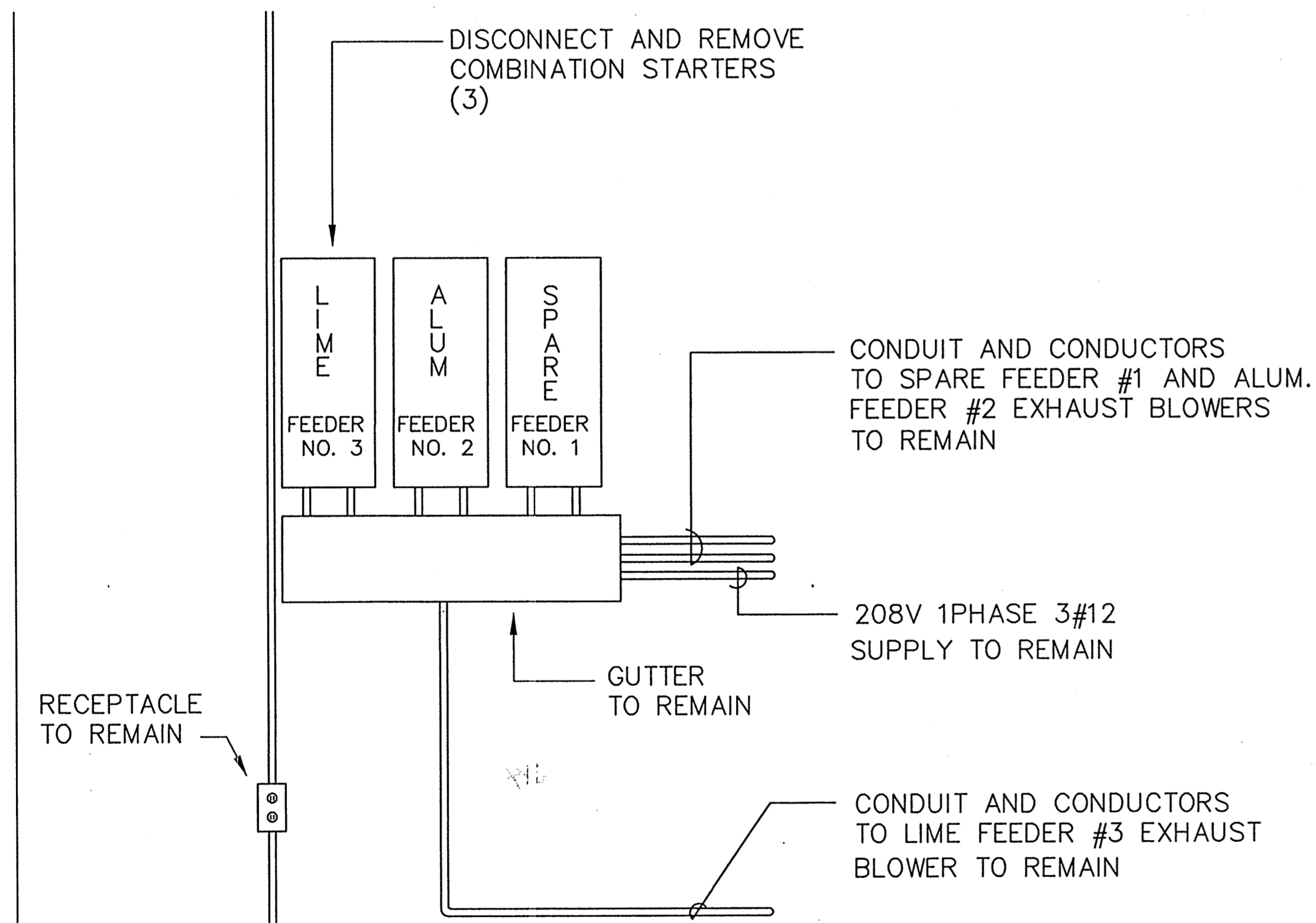
1 CONDUCTIVITY MONITORS DEMOLITION

SCALE: 1/2" = 1'-0" BLDG 585



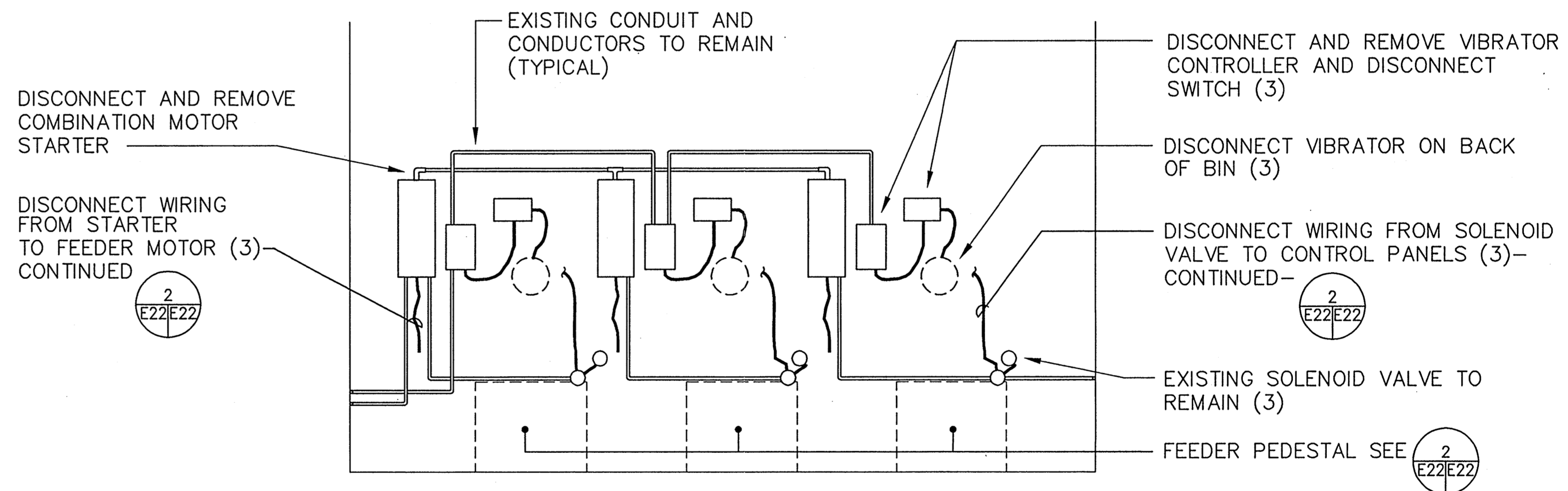
2 CHEMICAL FEEDER DEMOLITION - FRONT

SCALE: 1/2" = 1'-0" BLDG 585



4 EXHAUST BLOWER STARTERS - DEMOLITION

SCALE: 1" = 1'-0" BLDG 585

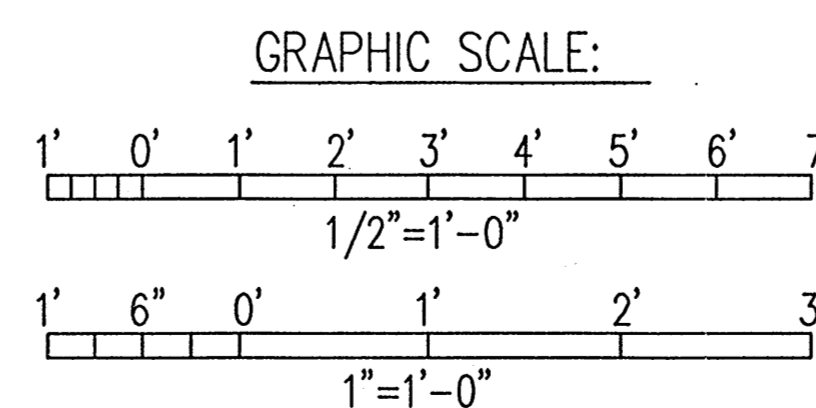


3 WALL BEHIND CHEMICAL FEEDERS - DEMOLITION

SCALE: 1/2" = 1'-0" BLDG 585

The Contractor will be responsible for coordinating the work among the various trades as necessary to avoid conflicts and to insure the installation of all work within the available space.

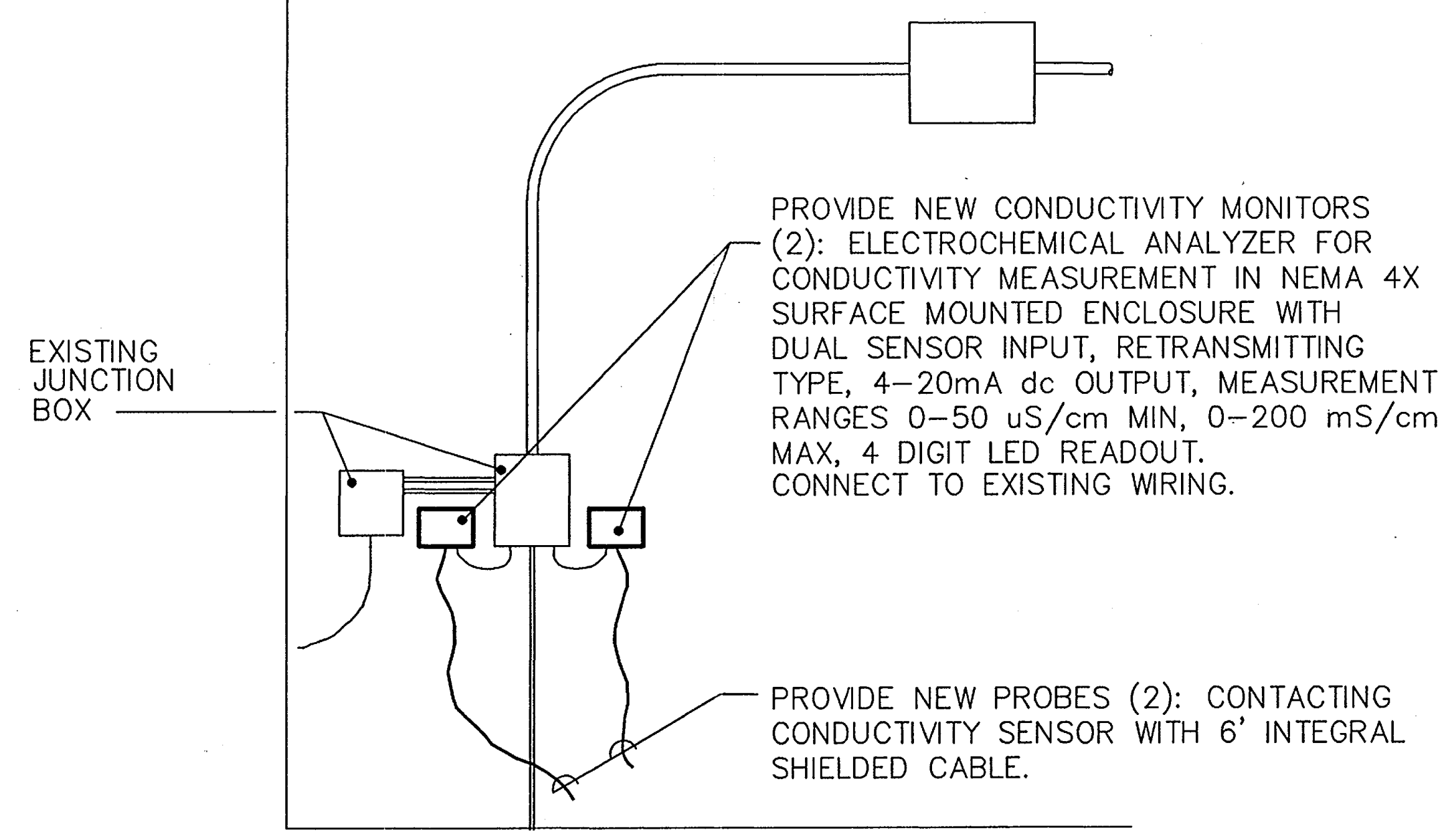
IF SHEET IS LESS THAN (22" x 34") IT IS A REDUCED PRINT - SCALE REDUCED ACCORDINGLY



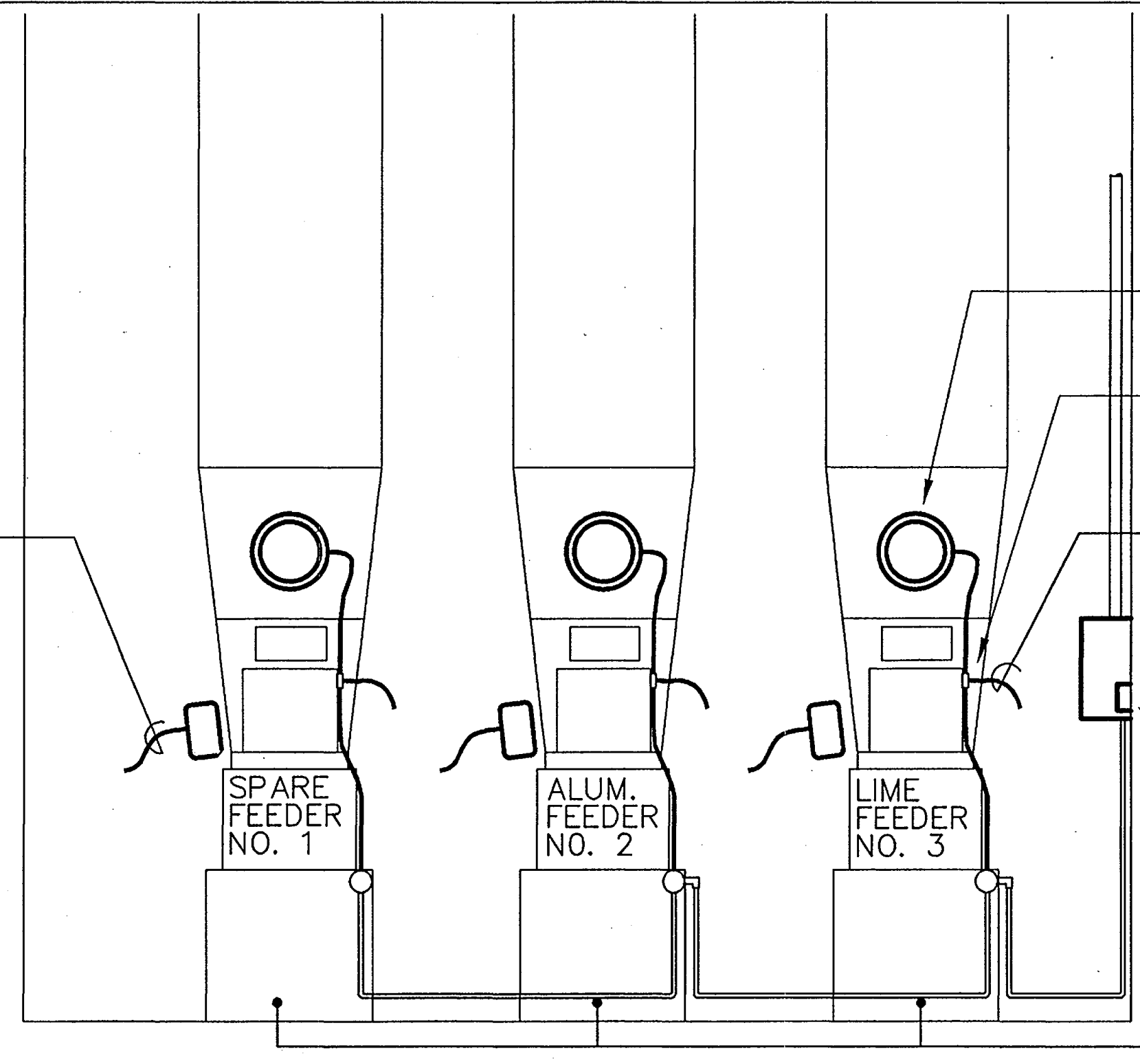
	DES: MKH SUPV: PKK CHECKED: PKK SUBMITTED BY: <i>Walter A. Lippert</i> FIRM NUMBER (FIRM): <i>Vicki President</i> PACKAGE NO.: <i>an</i> DATE: <i>1/28/87</i>	DEPARTMENT OF THE NAVY NAVAL FACILITIES ENGINEERING COMMAND OFFICER IN CHARGE OF CONSTRUCTION NAVAL FACILITIES ENGINEERING COMMAND CONTRACTS, MARIANAS GUAM, M.I. CONTROLS/TELEMETRY REPAIRS U.S. NAVY PUBLIC WORKS CENTER GUAM, M.I.
	APPROVED: <i>Walter A. Lippert</i> DATE:	FENA WATER TREATMENT PLANT BLDG 585-DEMOLITION DETAILS
Satisfactory to:	DATE:	NAVFAC DRAWING NO. 7911214 CONSTR. CONTR. NO. N62766-93-C-0289 SCALE: AS SHOWN SPEC: 41-93-0289 SHEET 46 of 87

E-22

REVISIONS				
LTR	DESCRIPTION	PREPARED BY	DATE	APPROVED



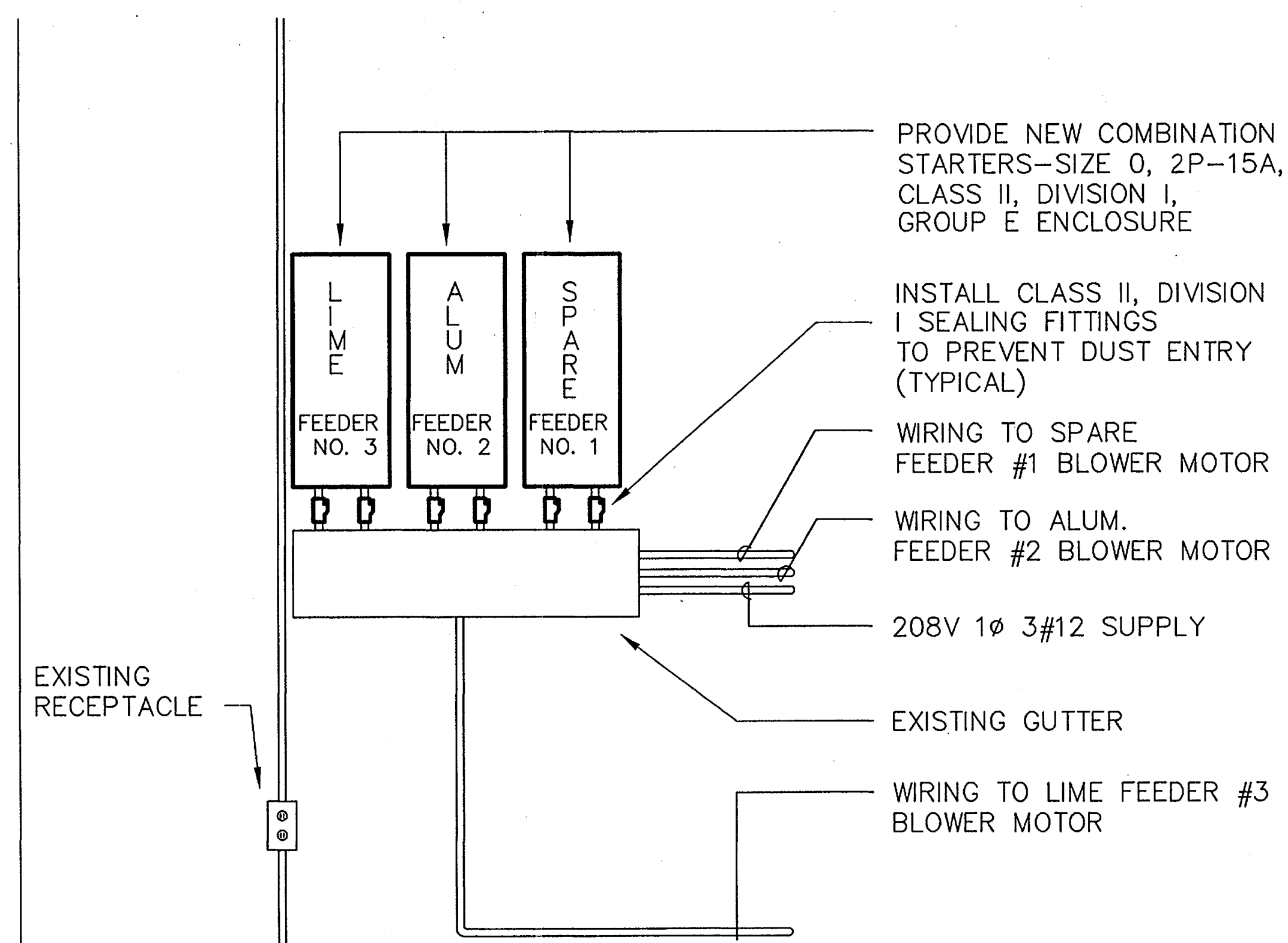
CONNECT EXISTING WIRING TO NEW MIXER MOTOR (3)
CONTINUED



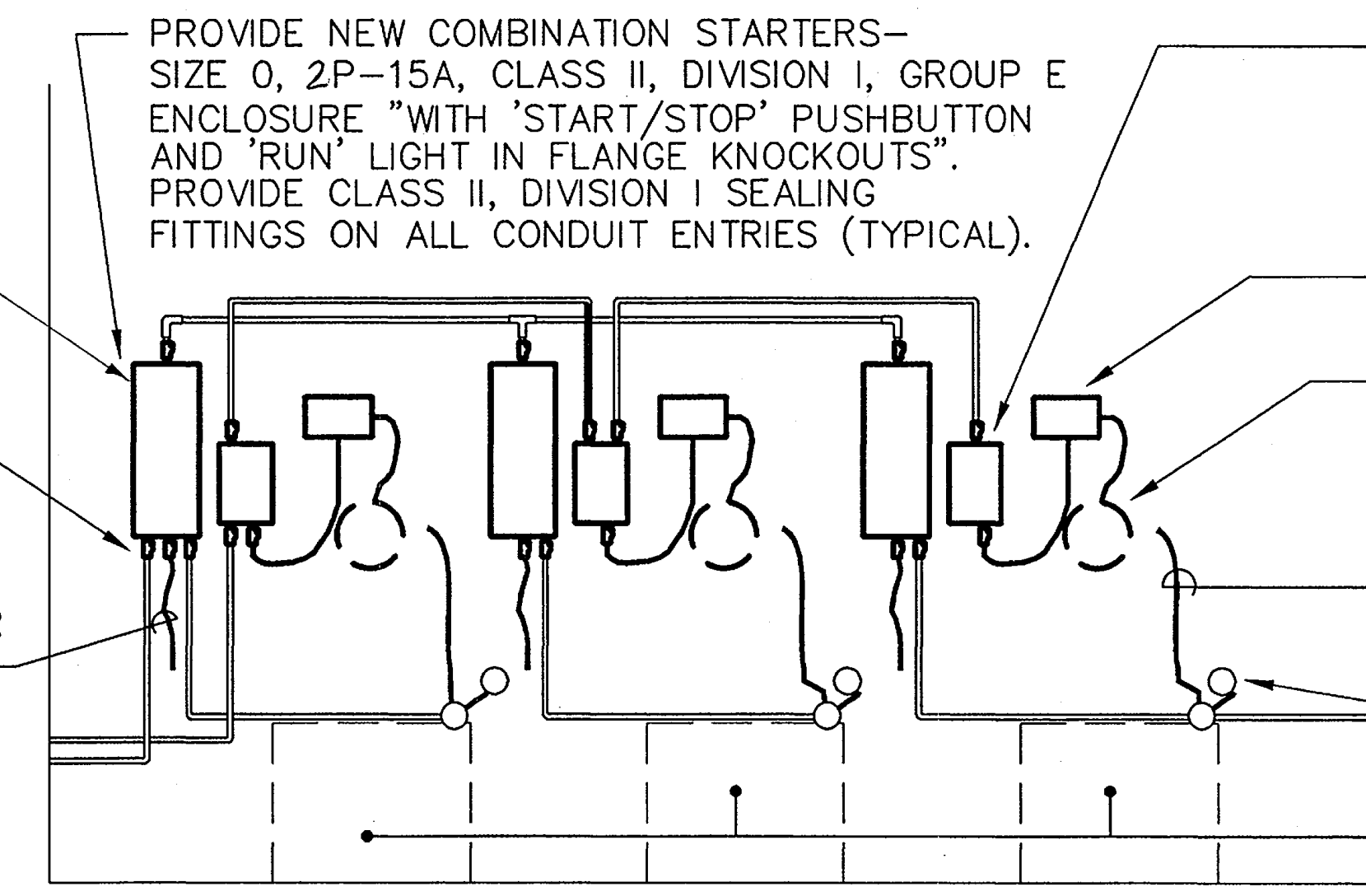
CONNECT NEW LOW LEVEL BIN INDICATOR TO EXISTING WIRING (3)
CONNECT NEW CONTROL PANEL TO EXISTING WIRING (3)
RECONNECT EXISTING SOLENOID VALVE (3) - CONTINUED
NEW CONDUCTIVITY MONITORS SEE
EXISTING FEEDER PEDESTALS

1 NEW CONDUCTIVITY MONITORS ELEVATION
SCALE: 1/2" = 1'-0"
BLDG 585

2 NEW CHEMICAL FEEDER ELEVATION - FRONT
SCALE: 1/2" = 1'-0"
BLDG 585



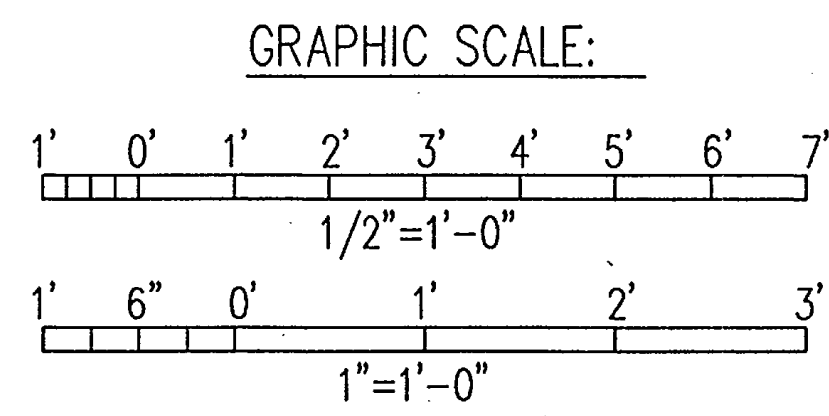
MIXER STARTER
INSTALL CLASS II, DIVISION I SEALING FITTING
CONNECT EXISTING WIRING TO NEW MIXER MOTOR STARTER (3) CONTINUED



PROVIDE NEW COMBINATION STARTERS- SIZE 0, 2P-15A, CLASS II, DIVISION I, GROUP E ENCLOSURE "WITH 'START/STOP' PUSHBUTTON AND 'RUN' LIGHT IN FLANGE KNOCKOUTS". PROVIDE CLASS II, DIVISION I SEALING FITTINGS ON ALL CONDUIT ENTRIES (TYPICAL).
PROVIDE NEW VIBRATOR CONTROLLER DISCONNECT SWITCH- 3P-30A, NON-FUSIBLE, CLASS II, DIVISION I, GROUP E ENCLOSURE. PROVIDE CLASS II, DIVISION I SEALING FITTINGS ON ALL CONDUIT ENTRIES (TYPICAL)
INSTALL NEW VIBRATOR CONTROLLER (3)
CONNECT NEW VIBRATOR CONTROLLER TO NEW VIBRATOR (3)
RECONNECT EXISTING SOLENOID VALVE TO NEW CONTROL PANEL - CONTINUED
EXISTING SOLENOID VALVE (3)
EXISTING FEEDER PEDESTAL

4 NEW EXHAUST BLOWER STARTER - ELEVATION
SCALE: 1" = 1'-0"
BLDG 585

3 WALL BEHIND CHEMICAL FEEDERS - ELEVATION
SCALE: 1/2" = 1'-0"
BLDG 585



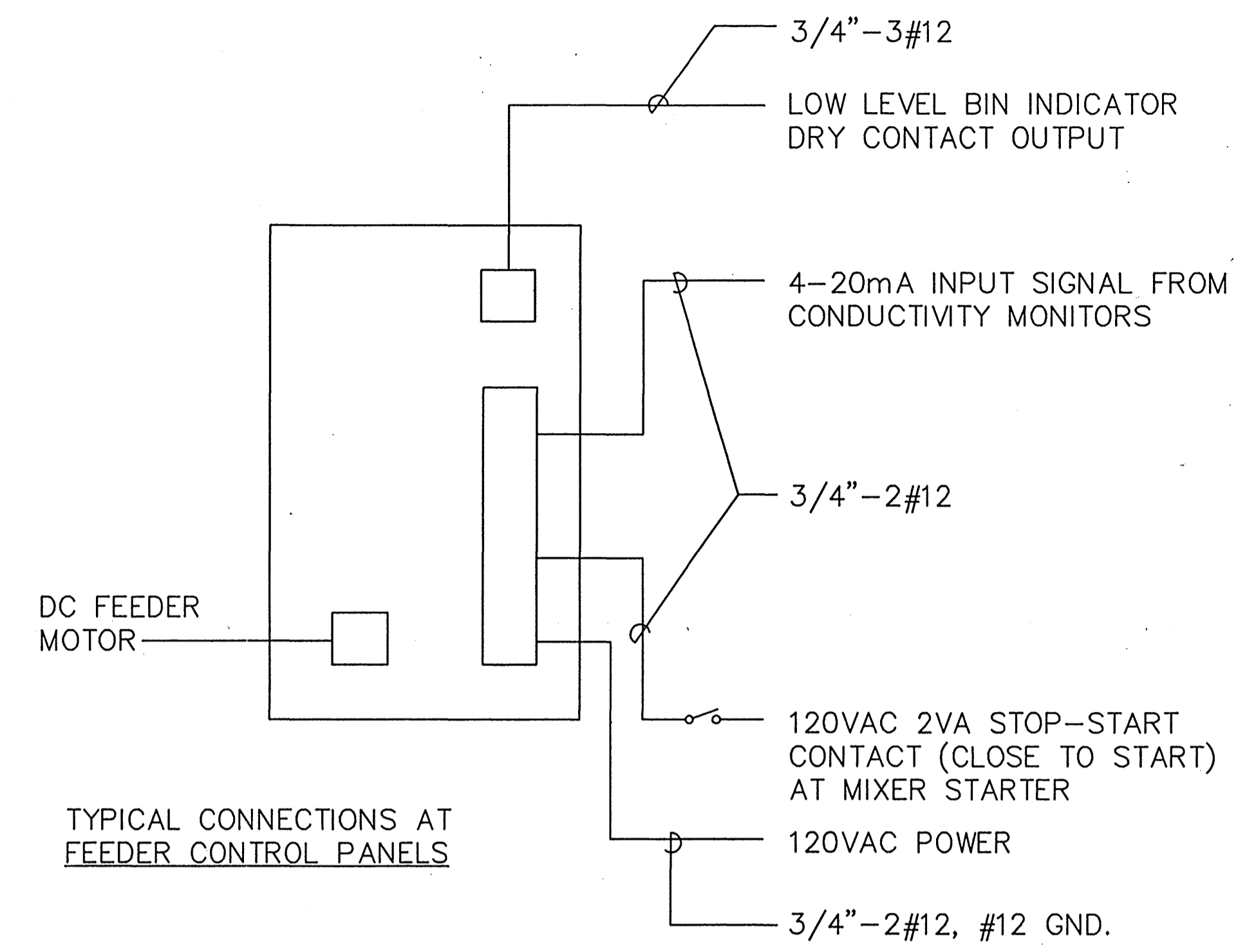
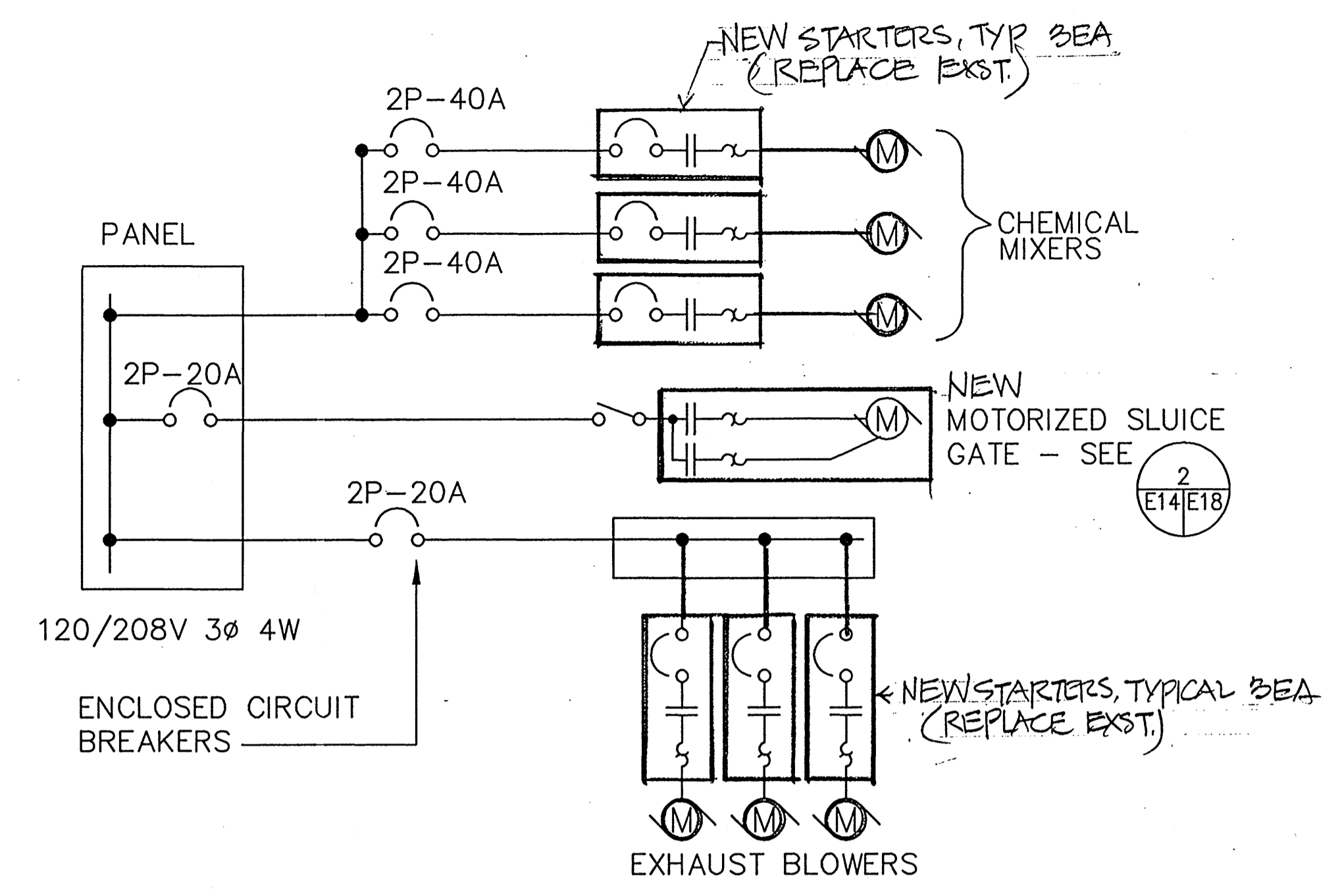
The Contractor will be responsible for coordinating the work among the various trades as necessary to avoid conflicts and to insure the installation of all work within the available space.

IF SHEET IS LESS THAN (22" x 34") IT IS A REDUCED PRINT - SCALE REDUCED ACCORDINGLY

	DEPARTMENT OF THE NAVY OFFICER IN CHARGE OF CONSTRUCTION NAVAL FACILITIES ENGINEERING COMMAND CONTRACTS, MARIANAS GUAM, M.I.	
	CONTROLS/TELEMETRY REPAIRS U.S. NAVY PUBLIC WORKS CENTER GUAM, M.I.	
	FENA WATER TREATMENT PLANT BLDG 585-INSTALLATION DETAILS	
	SIZE: D CODE IDENT. NO.: 80091 NAVFAC DRAWING NO.: 7911215 CONSTR. CONTR. NO.: N62766-93-C-0289	NAVFAC DRG. NO.: 7911215 SCALE: AS SHOWN SPEC: 41-93-0289 SHEET: 47 OF 87

E-23

REVISIONS			
LTR	DESCRIPTION	PREPARED BY	DATE



CHEMICAL FEEDERS AND EXHAUST BLOWERS - POWER ONE-LINE DIAGRAM

1
E18 E24
E21

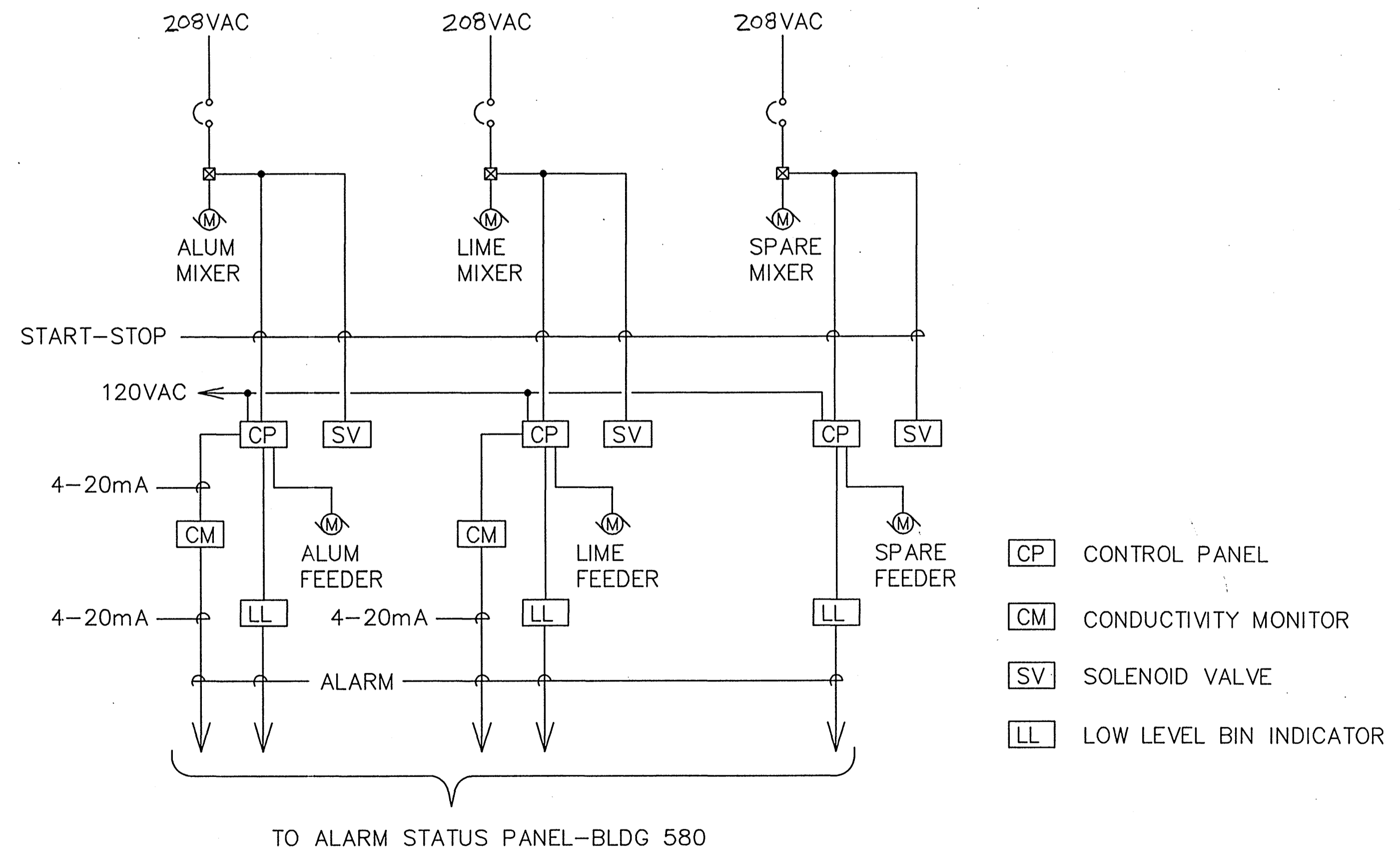
SCHEMATIC BLDG 585

CHEMICAL FEEDERS WIRING DIAGRAM

3
E24 E24
E21

SCHEMATIC BLDG 585

THIS DIAGRAM SHOWS CONFIGURATION OF CONNECTIONS AT FEEDER CONTROL PANELS. SEE DEMOLITION AND INSTALLATION DETAILS FOR EXTENT OF DISCONNECTION, RECONNECTION AND NEW MATERIALS.



TO ALARM STATUS PANEL-BLDG 580

CHEMICAL FEEDERS WIRING DIAGRAM

2
E24 E24
E21

SCHEMATIC BLDG 585

THIS DIAGRAM SHOWS THE CONFIGURATION OF INTERCONNECTIONS BETWEEN CHEMICAL FEEDER SYSTEM EQUIPMENT. SEE DEMOLITION AND INSTALLATION DETAILS FOR EXTENT OF DISCONNECTION, RECONNECTION, AND NEW WORK.

The Contractor will be responsible for coordinating the work among the various trades as necessary to avoid conflicts and to insure the installation of all work within the available space.

IF SHEET IS LESS THAN (22" x 34") IT IS A REDUCED PRINT - SCALE REDUCED ACCORDINGLY

	DES: <i>MEH</i> OR: <i>PK</i> CHK: <i>PK</i> SUPV: <i>PK</i> CH DSG: <i>PK</i> SUBMITTED BY: <i>Anthony...</i> DATE: <i>11/15/93</i> FIRM MEMBER (TITLE): <i>Vice President</i> PROJECT NO.: <i>...</i> REV: <i>JA</i> DR. NO.: <i>...</i> DATE: <i>...</i>	DEPARTMENT OF THE NAVY NAVAL FACILITIES ENGINEERING COMMAND OFFICER IN CHARGE OF CONSTRUCTION NAVAL FACILITIES ENGINEERING COMMAND CONTRACTS, MARIANAS GUAM, M.I. CONTROLS/TELEMETRY REPAIRS U.S. NAVY PUBLIC WORKS CENTER GUAM, M.I.
	APPROVED: <i>...</i> DATE: <i>...</i> TITLE: <i>...</i>	FENA WATER TREATMENT PLANT BLDG 585-INSTALLATION DETAILS SIZE: <i>D</i> CODE IDENT. NO.: <i>80091</i> NAVFAC DRAWING NO.: <i>7911216</i> CONSTR. CONTR. NO.: <i>N62766-93-C-0289</i>
E-24	FOR COMMANDER NAVFAC	SCALE: <i>NONE</i> SPEC: <i>41-93-0289</i> SHEET: <i>48</i> OF <i>87</i>